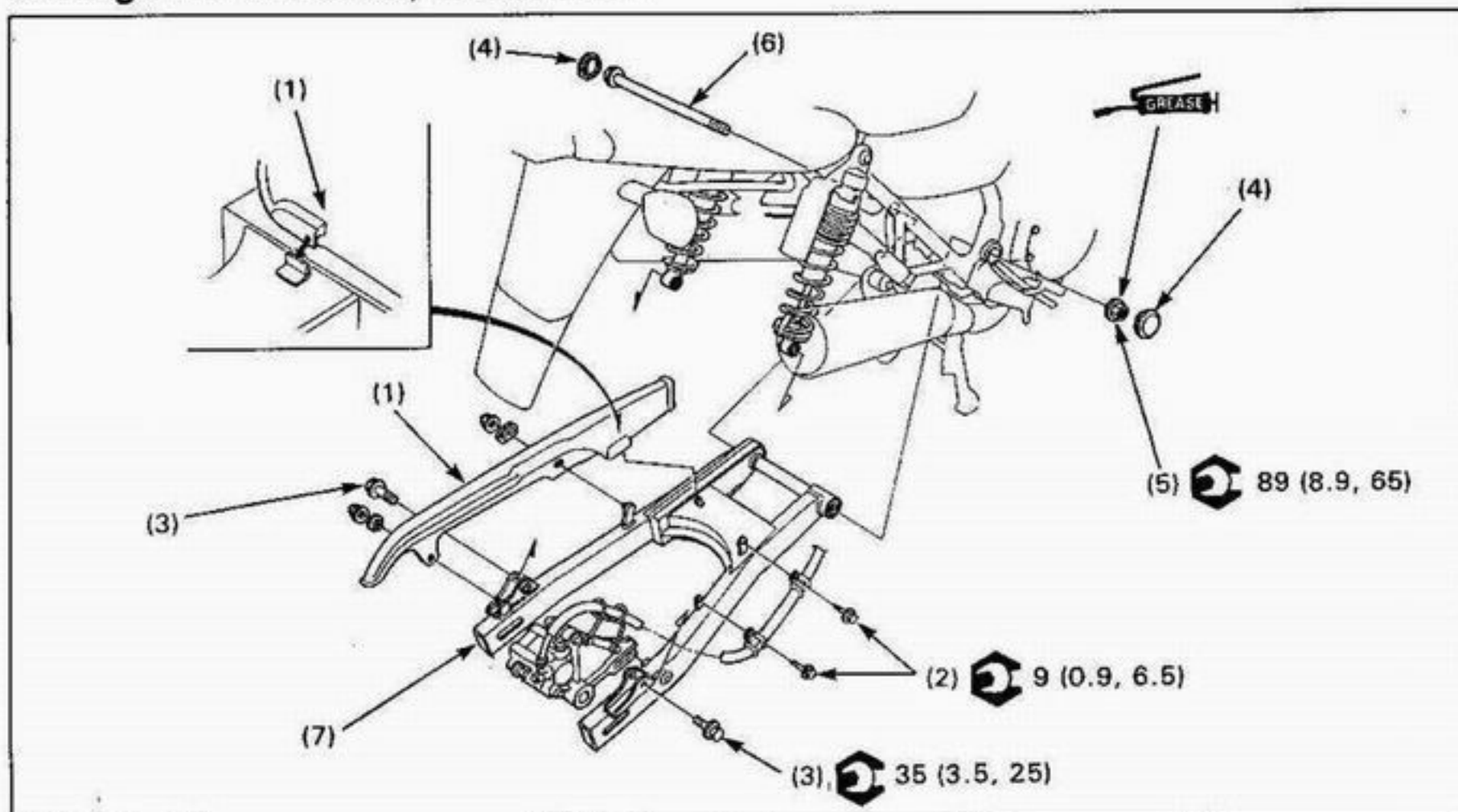


Swingarm Removal/Installation

**CAUTION**

- Support the removed caliper with a piece of wire so that it does not hang from the brake hose. Do not twist the brake hose.

NOTE

- Put the motorcycle on its center stand.
- Do not depress the pedal when the caliper is removed, or it will be difficult to refit the disc between the brake pads.

Requisite Service

- Rear wheel removal/installation (page 11-2)

Procedure		Q'ty	Remarks
	Removal Order		Installation is in the reverse order of removal.
(1)	Drive chain cover	1	
(2)	Brake hose mounting bolt	2	
(3)	Shock absorber lower mounting bolt	2	
(4)	Cap	2	
(5)	Swingarm pivot nut	1	
(6)	Swingarm pivot bolt	1	
(7)	Swingarm assembly	1	At installation, pass the drive chain over the swingarm.