

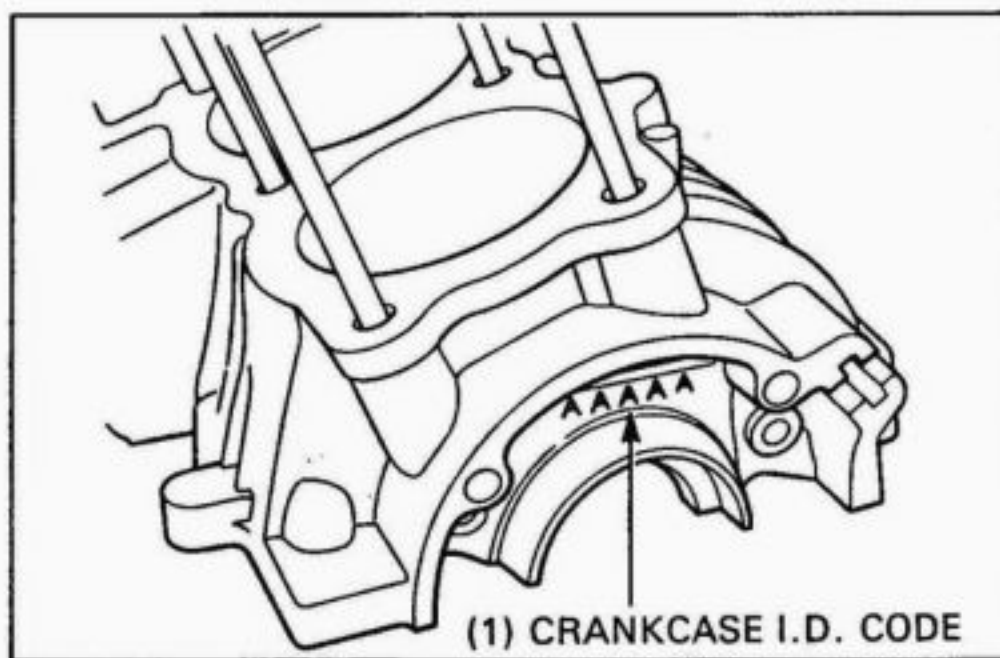
# Crankshaft Bearing Replacement

## Main Journal Bearing Selection

Record the crankcase I.D. code letters from the left side of the crankcase.

**NOTE**

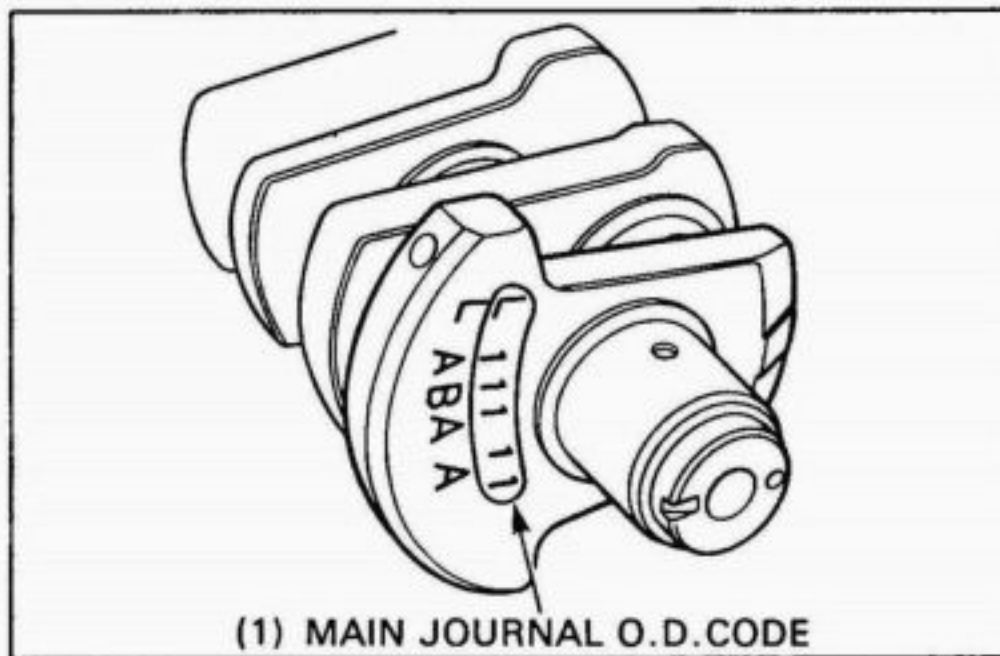
- The letters (A or B) on the upper crankcase are the codes for the main journal I.D. s, reading from the left.



Record the corresponding main journal O.D. code numbers from the crank weight.

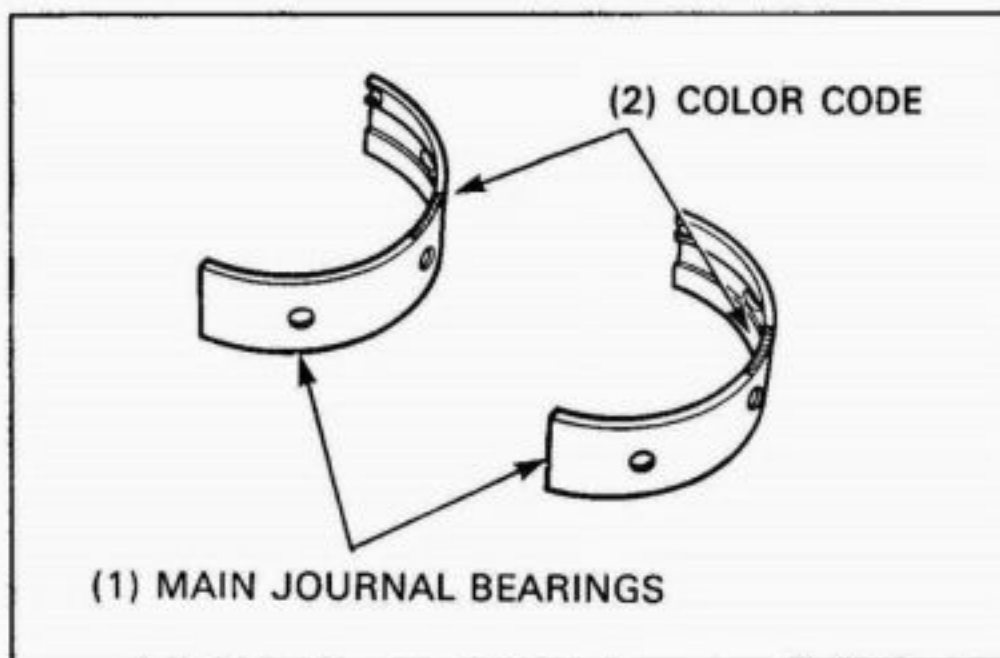
**NOTE**

- The numbers (1 or 2) on the crank weight are the codes for the main journal O.D. s, reading from the left.



Cross reference the case and journal codes to determine the replacement bearing color code.

Main journal O.D. code		1	2
		35.992-36.000 mm (1.4170-1.4173 in)	35.984-35.992 mm (1.4166-1.4170 in)
Crankcase I.D. code	A	Red	Pink
	B	Pink	Yellow



## Bearing thickness

Yellow: Thick  
 Pink: †  
 Red Thin