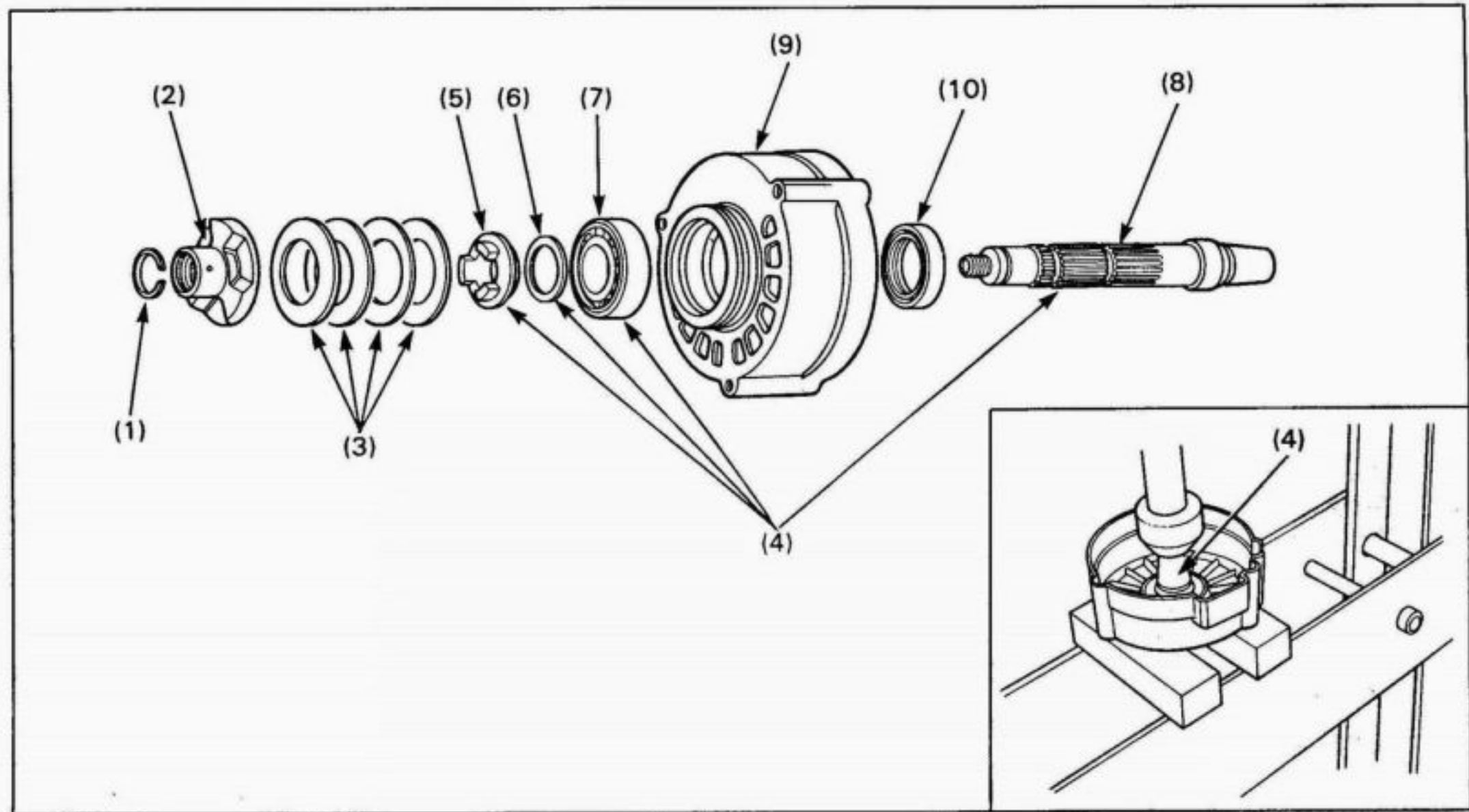


Alternator Shaft Disassembly/Assembly



NOTE

- Never reinstall the old bearing; once the bearing is removed, it must be replaced with a new one.
- Blow the oil line in the alternator shaft with compressed air.

Requisite Service

- Crankshaft removal (page 9-10)

Procedure	Q'ty	Remarks
Disassembly Order		
(1) Snap ring	1	
(2) Damper cam	1	
(3) Damper spring	4	
(4) Alternator shaft assembly	—	Press the alternator shaft assembly out of the alternator case.
(5) — Collar	1	
(6) — Washer	1	
(7) — Bearing	1	
(8) — Alternator shaft	1	
(9) Alternator case	1	
(10) Oil seal	1	
Assembly Order		
(7) Bearing	1	— page 9-13.
(8) Alternator shaft	1	—
(6) Washer	1	—
(5) Collar	1	—
(3) Damper spring	4	—
(2) Damper cam	1	—
(1) Snap ring	1	—
(10) Oil seal	1	—