

Clutch Outer Installation

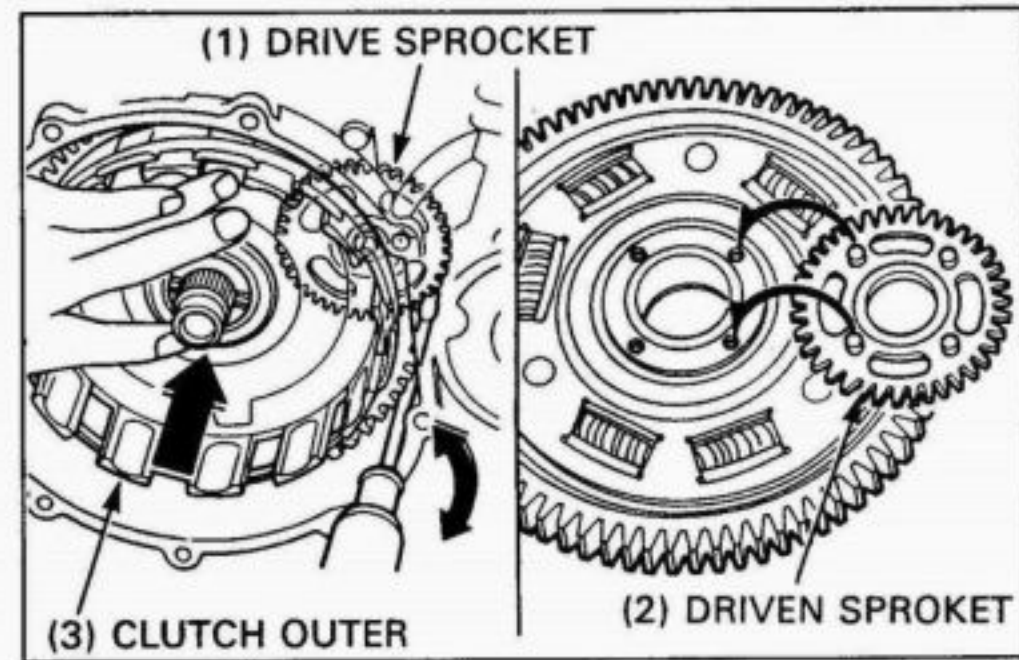
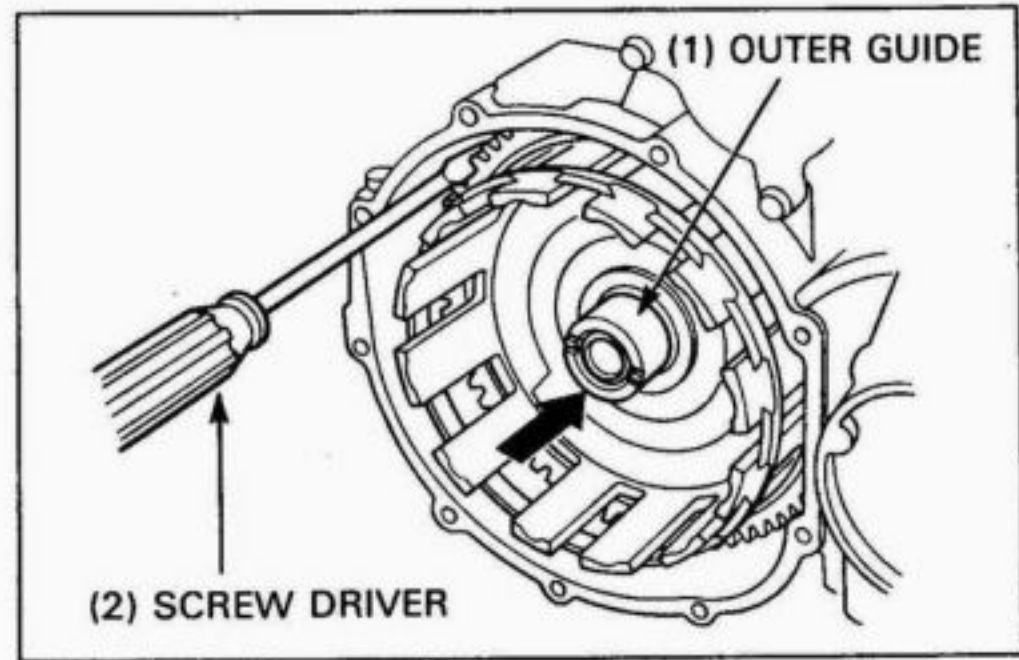
Turn the crankshaft clockwise until the No.4 crank weight is positioned at BTDC.

Install the clutch outer over the mainshaft.
Install the clutch outer guide between the mainshaft and clutch outer and push it in until it stops.

NOTE

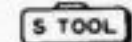
- Install the clutch outer guide onto the mainshaft while moving the drive sub gear to align the two gear teeth using a screwdriver. Take care not to damage the gear teeth.

Push the clutch outer in while moving the primary driving gears with a screwdriver, then further push it in while moving the oil pump driven sprocket with the screwdriver to fit the pins on the drive sprocket into the holes in the clutch outer.



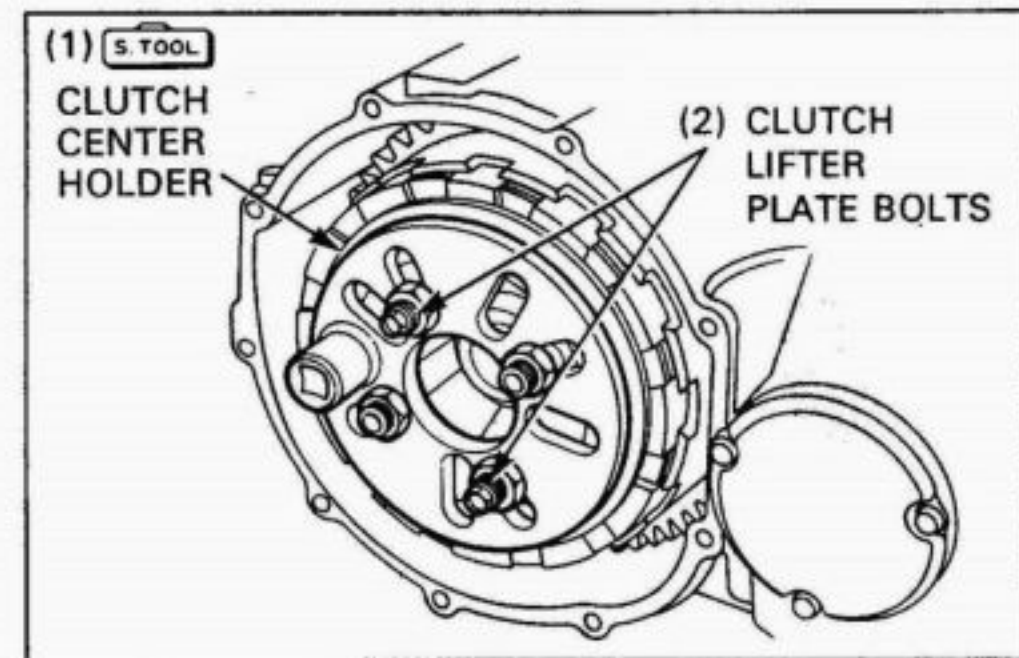
Clutch Center Lock Nut Installation

Position the tools as shown and use at least two clutch lifter plate bolts to secure the tool to the clutch.

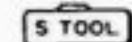


Clutch center holder

07JMB-MN50300



Hold the clutch center holder and torque the clutch center lock nut as shown.



Lock nut wrench, 26×30 mm

07716-0020203

Extension bar

07716-0020500

Torque: 110 N·m (11.0 kg·m, 80 ft·lb)

Stake the lock nut onto the mainshaft.

