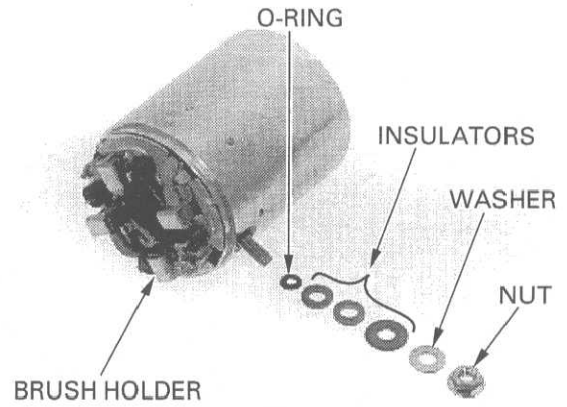


ELECTRIC STARTER

Install the insulators properly as noted during removal.

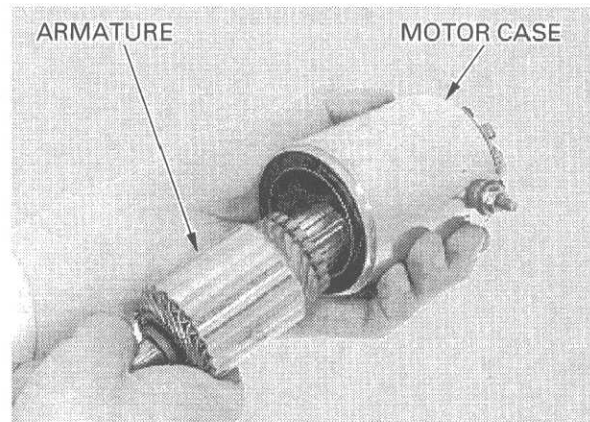
- Install the following:
- O-ring
 - Insulators
 - Washer
 - Nut



Push and hold the brush inside the brush holder, and install the armature through the brush holder. When installing the armature into the motor case, hold the armature tightly to keep the magnet from pulling the armature against the motor case.

CAUTION:

- *The coil may be damaged if the magnet pulls the armature against the case.*
- *The sliding surfaces of the brushes can be damaged if they are not installed properly.*

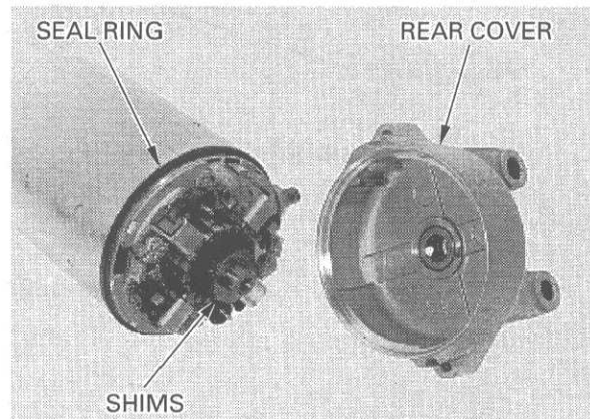


Set the brush springs.

Install the shims properly as noted during removal.

Install the seal ring on the motor case. Install the same number of rear shims in the same locations as when disassembled. Apply thin coat of grease to the armature shaft end. Install the shims on the armature shaft.

Install the rear cover aligning its groove with the brush holder tab.



Install the shims properly as noted during removal.

Install the seal ring on the motor case. Install the same number of front shims in the same locations as when disassembled. Install the insulated washer. Apply grease to the front cover oil seal and needle bearing. Install the lock washer on the front cover. Install the front cover to the motor case.

CAUTION:

When installing the cover, take care to prevent damaging the oil seal lip with the shaft.

