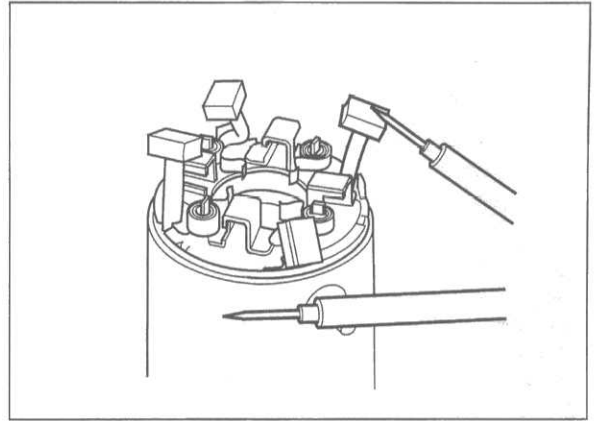
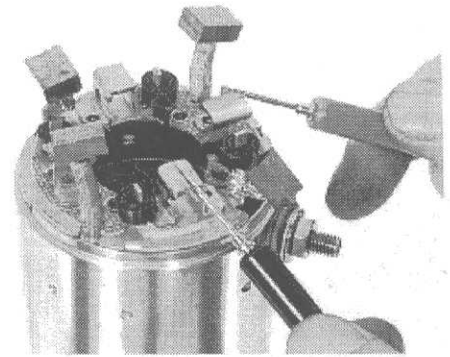


Check for continuity between the motor case and the cable terminal.
There should be no continuity.

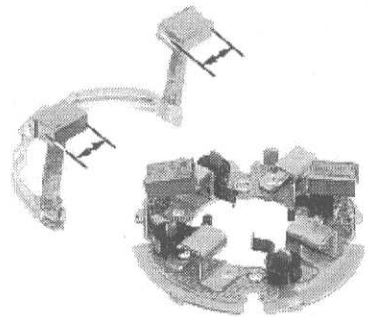


Check for continuity between (+) and (-) terminals of the brush holder.
There should be no continuity.



Inspect the brushes for damage and measure the brush length.

SERVICE LIMIT: 4.5 mm (0.18 in)



Check the bushing of the rear cover for wear or damage.

