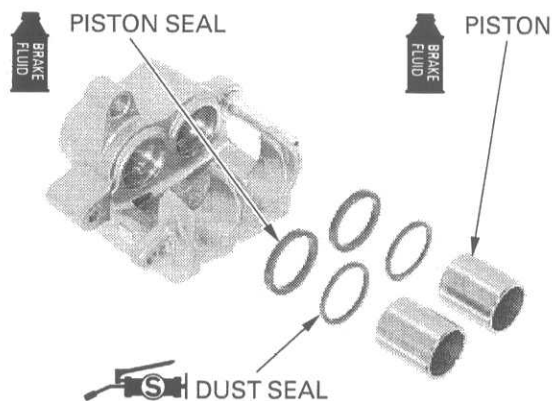


HYDRAULIC BRAKE

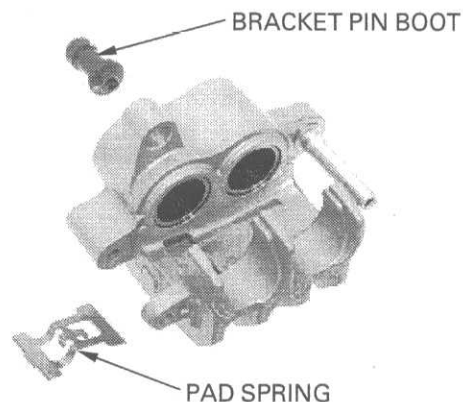
Coat the new piston seals with clean brake fluid.
Coat the new dust seal with silicone grease.
Install the piston and dust seal into the groove of the caliper body.

Coat the caliper pistons with clean brake fluid and install them into the caliper cylinder with their opening ends toward the pad.



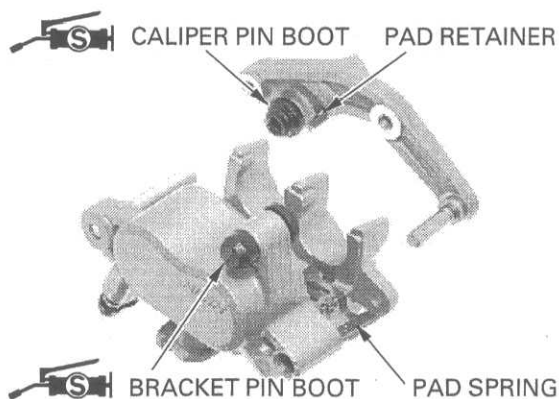
Note the installation direction of the pad spring.

Install the pad spring in the caliper body.
Install the bracket pin boot into the caliper body.
If a caliper and bracket pin boots are hard or deteriorated, replace them with new ones.



Install the brake pad retainer and caliper pin boot into the caliper bracket.

Apply silicone grease to the caliper and bracket pins and install the caliper bracket over the caliper body.



INSTALLATION

Install the caliper and tighten the new mounting bolts to the specified torque.

TORQUE: 30 N·m (3.1 kgf·m , 22 lbf·ft)

Install the brake hose eyelet joint to the caliper body with two new sealing washers and oil bolt. Align the brake hose eyelet to the stopper on the caliper, then tighten the oil bolt to the specified torque.

TORQUE: 34 N·m (3.5 kgf·m , 25 lbf·ft)

Fill and bleed the brake hydraulic system (page 15-3).

