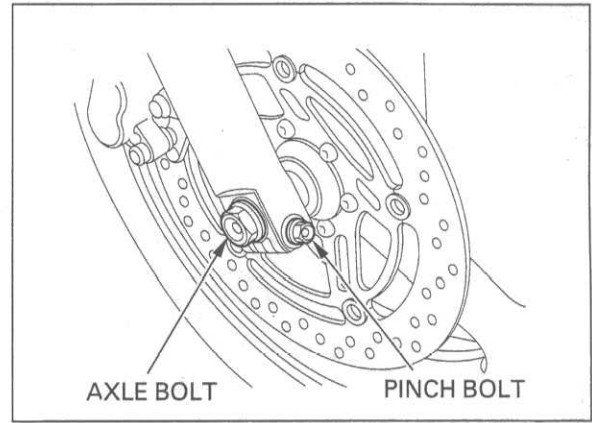
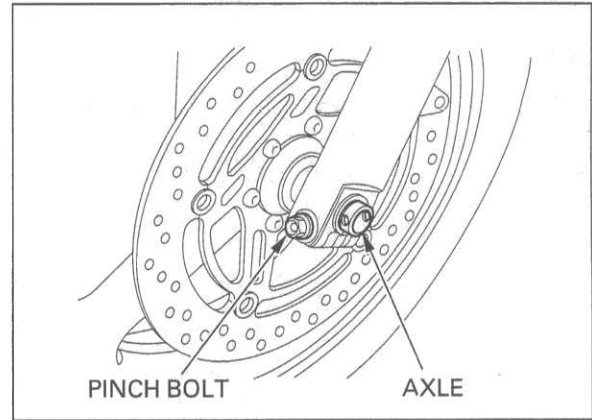


FRONT WHEEL/SUSPENSION/STEERING

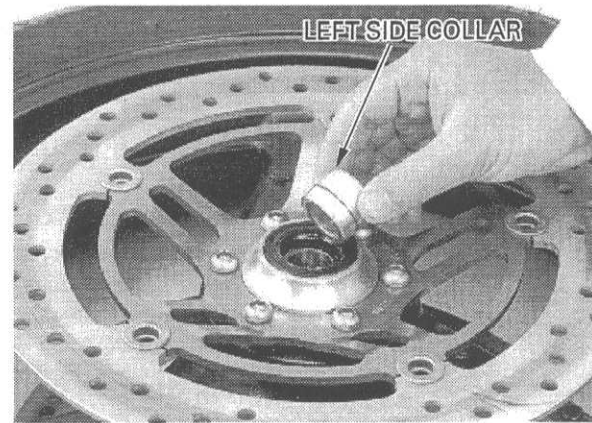
Loosen the right axle pinch bolt.
Remove the axle bolt.



Loosen the left axle pinch bolt.
Remove the axle and the front wheel.



Remove the left side collar.



Remove the right side collar.

