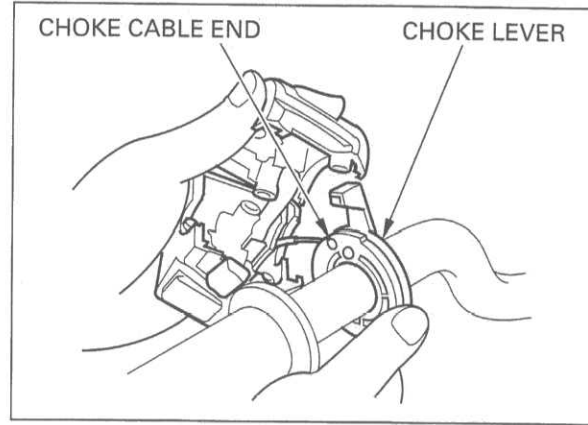
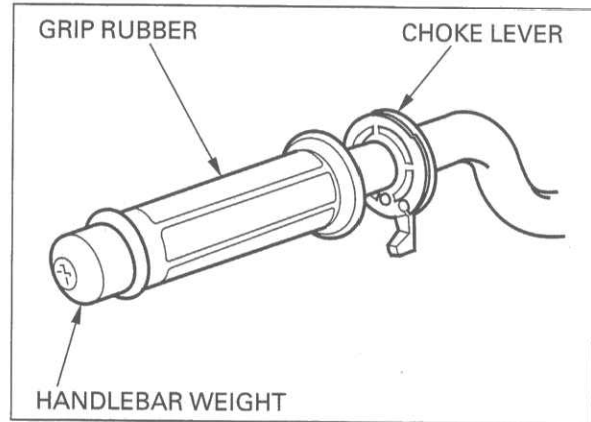


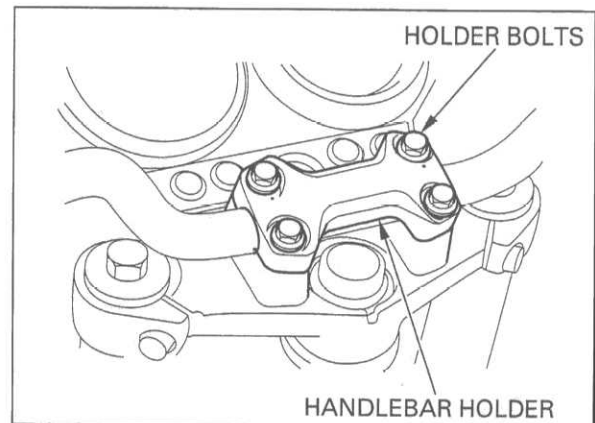
Disconnect the choke cable from the choke lever and remove the left handlebar switch.



Remove the left handlebar weight, handlebar grip rubber and choke lever.



Remove the upper holder bolts, holder and handlebar.



INSTALLATION

Place the handlebar on the lower holders aligning the punch marks on the handlebar with the top surface of the lower holders.

Install the upper holder with its punch mark facing forward.

Install the upper holder bolts.

Tighten the front bolts first, then tighten the rear bolts.

TORQUE: 26 N·m (2.7 kgf·m , 20 lbf·ft)

