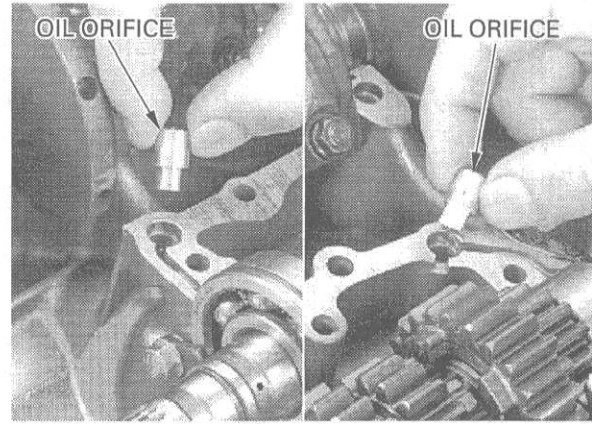


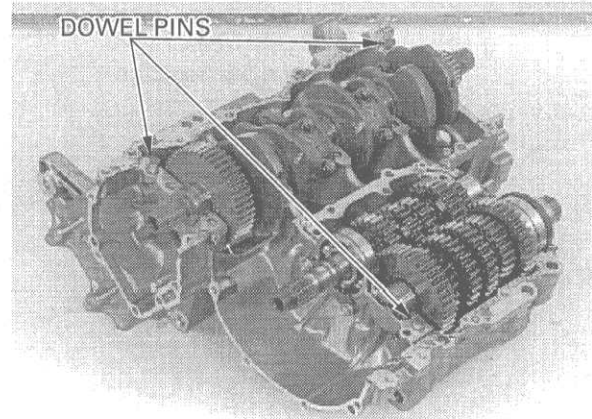
CRANKCASE/PISTON/CYLINDER

Install the oil orifices with their cut-out with the upper crankcase grooves.

Install the oil orifices to the upper crankcase.



Install dowel pins in the upper crankcase.



Assemble the crankcase halves, aligning the shift fork claws with the shifter gear grooves.

Check for smooth transmission operation.

