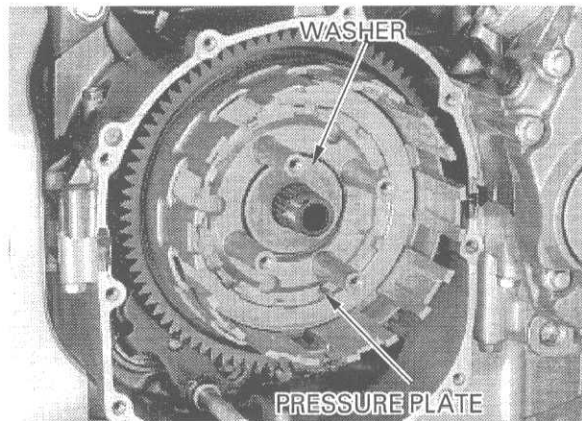
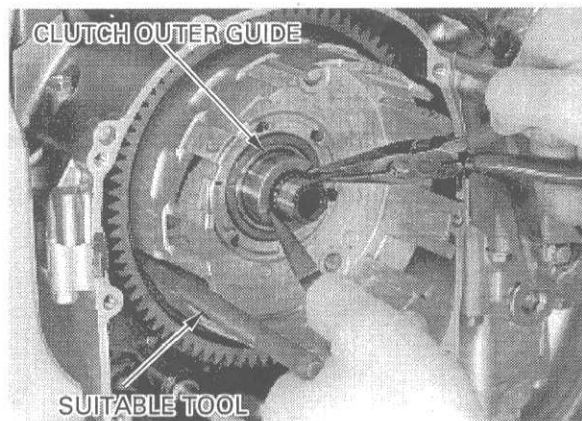


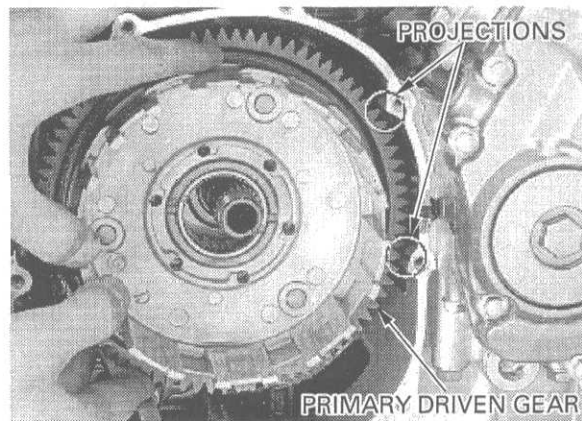
Remove the pressure plate and thrust washer.



Insert a 5 mm pin (or suitable tool) into the holes in the primary driven gears to align the gear teeth. Pull the clutch outer guide out by pinching the ribs on the clutch outer guide and sliding the guide forward.



Remove the clutch outer from the mainshaft by positioning the projections of the crankcase between the teeth of the primary driven gears.



INSPECTION

Clutch lifter bearing

Turn the inner race of the lifter bearing with your finger.

The bearing should turn smoothly and freely without excessive play.

If necessary replace the bearing.

