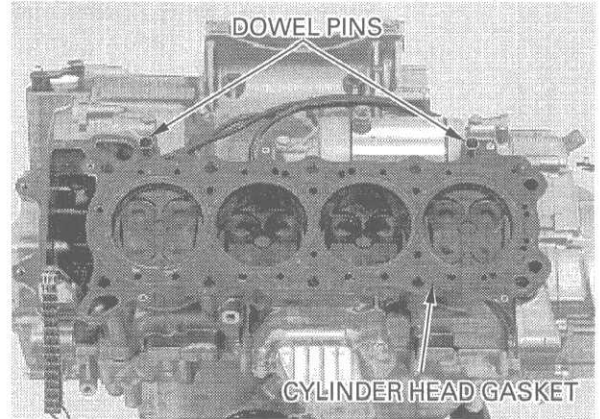


# CYLINDER HEAD/VALVES

Remove the dowel pins and cylinder head gasket.



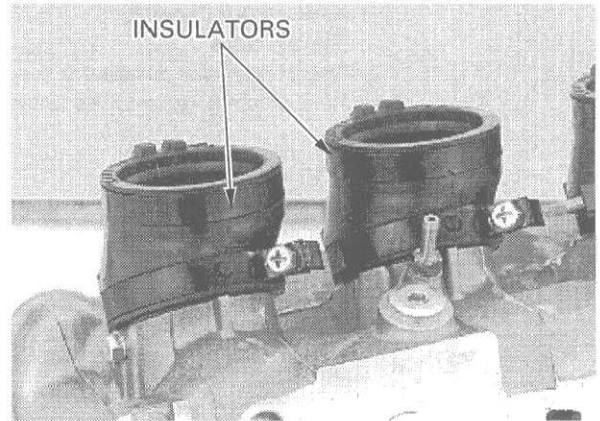
## CYLINDER HEAD DISASSEMBLY

**NOTE:**

Mark all parts during disassembly so they can be placed back in their original locations.

Remove the carburetor insulators from the cylinder head.

Remove the spark plugs from the cylinder head.

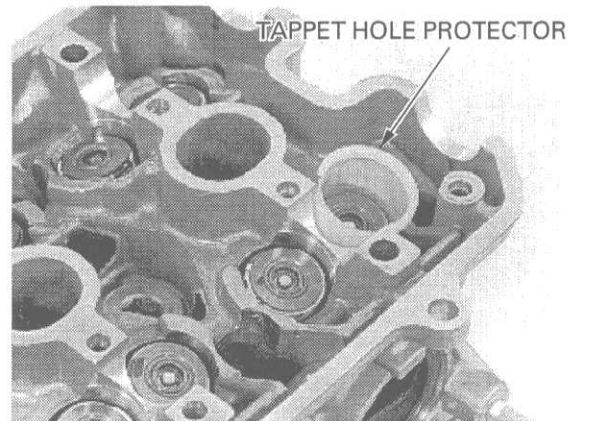


Remove the valve lifters and shims.

Install the tappet hole protector into the valve lifter bore.

**TOOL:**

**Tappet hole protector**      07HMG-MR70002



An equivalent tool can easily be made from a plastic 35 mm film container as shown.

