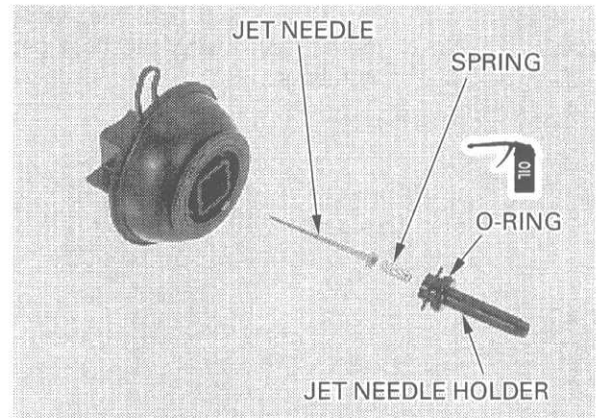


DIAPHRAGM/VACUUM PISTON

Check the condition of the O-ring on the jet needle holder, replace if necessary.
Apply oil to the O-ring.

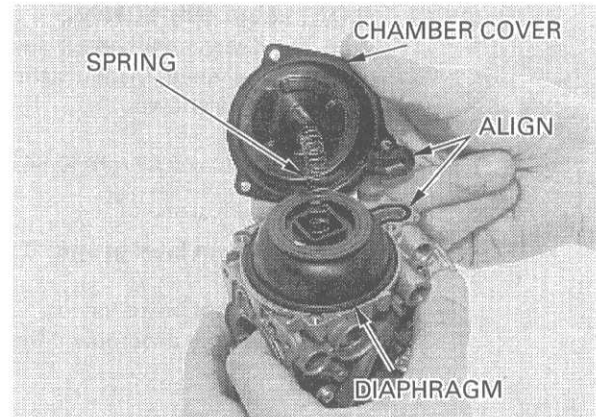
Install the jet needle and spring into the vacuum piston.

Press the jet needle holder into the vacuum piston until you feel a click indicating that the O-ring is seated into the groove in the vacuum piston.



Install the diaphragm/vacuum piston in the carburetor body, aligning the diaphragm tab with the groove of the carburetor body.
Hold the vacuum piston almost full open so the diaphragm is not pinched by the chamber cover.

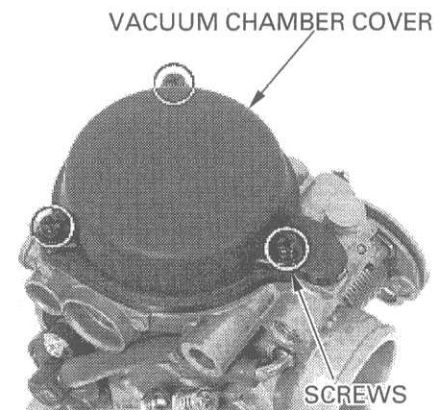
Install the chamber cover with the spring, being careful not to damage the spring.



Install and tighten the vacuum chamber cover screws.

CAUTION:

Do not pinch the diaphragm under the chamber cover.



STARTING ENRICHMENT VALVE

Install the spring and SE valve.

