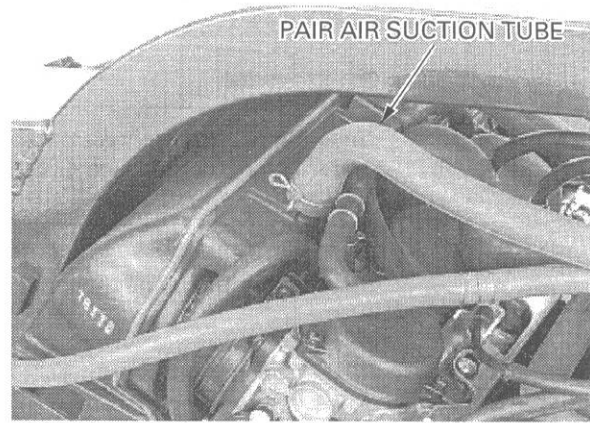
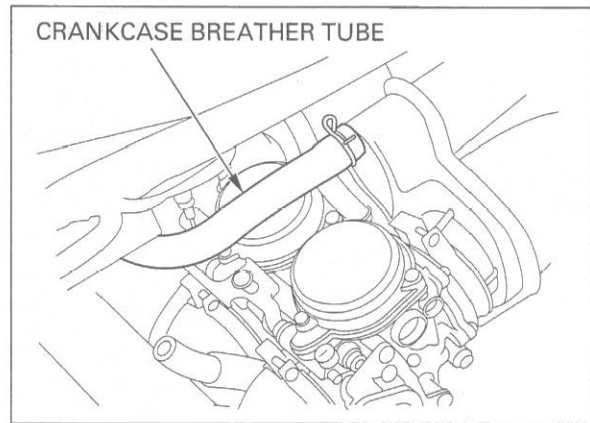


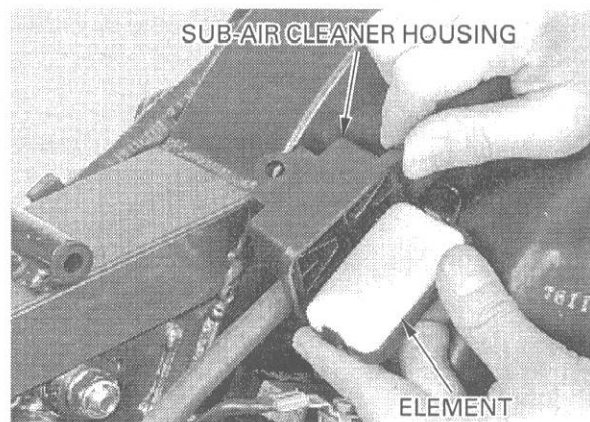
Connect the PAIR air suction tube to the air cleaner housing.



Connect the crankcase breather tube to the air cleaner housing.



Clean the sub-air cleaner element.



Install the sub-air cleaner housing clamp, tighten the screw securely.

Install the following:

- Battery (page 16-5)
- Air cleaner element (page 3-5)
- Fuel tank (page 2-4)

