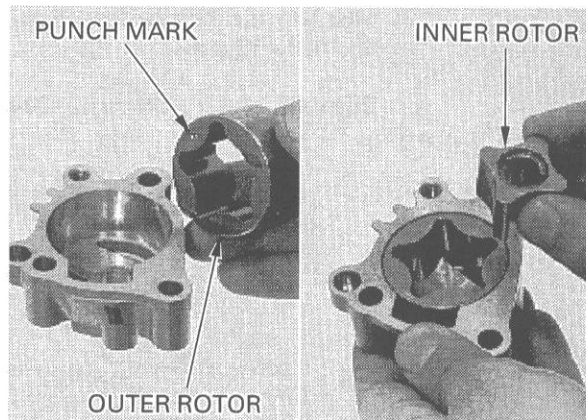


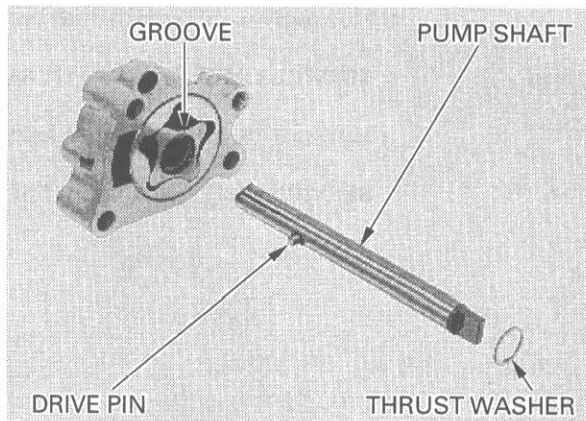
# LUBRICATION SYSTEM

Before assembly, clean all disassembled parts thoroughly in solvent, wipe and dry.  
Apply clean engine oil to the all sliding area.

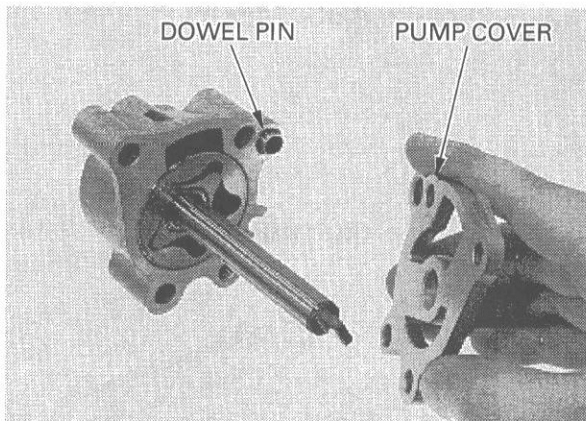
Install the outer and inner rotors into the oil pump body with the outer rotor punch mark facing the pump cover.



Install the oil pump shaft.  
Install the drive pin into the hole in the pump shaft and align the pin with the grooves in the inner rotor as shown.  
Install the thrust washer into the inner rotor groove.



Install the dowel pin to the oil pump body.  
Install the oil pump cover.



Install and tighten the oil pump cover bolt to the specified torque.

**TORQUE:** 8 N·m (0.8 kgf·m , 5.8 lbf·ft)

