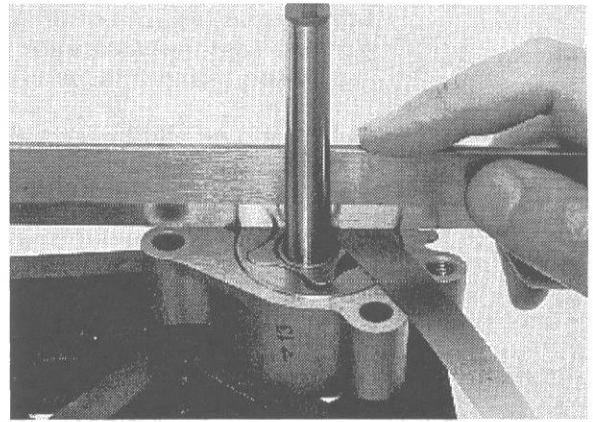


Measure the side clearance using a straight edge and feeler gauge.

SERVICE LIMIT: 0.10 mm (0.004 in)

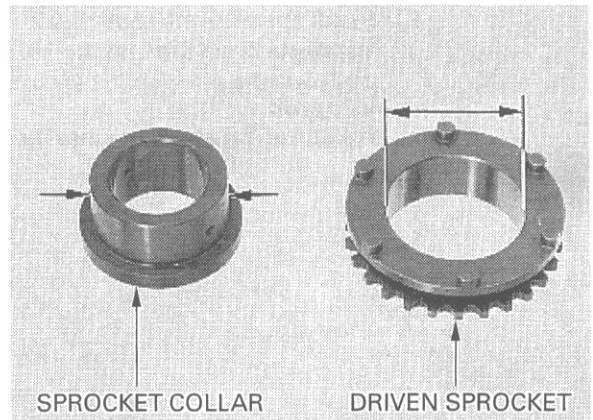


Measure the oil pump driven sprocket collar O.D.

SERVICE LIMIT: 34.03 mm (1.340 in)

Measure the oil pump drive sprocket I.D.

SERVICE LIMIT: 35.10 mm (1.382 in)



ASSEMBLY

