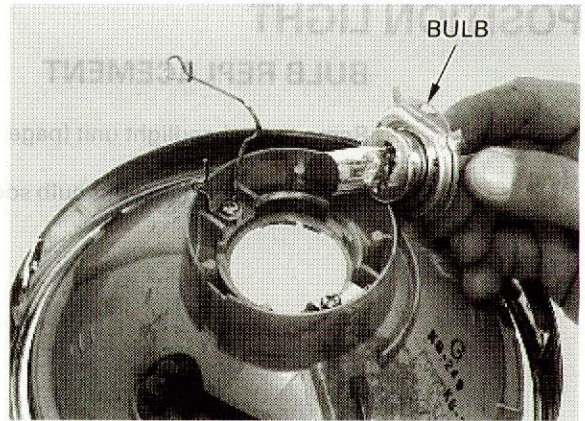
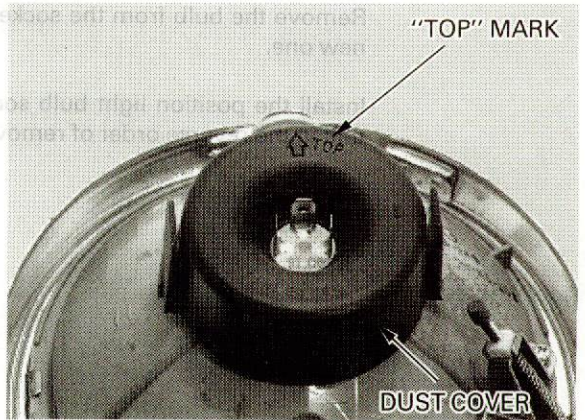


Install the new headlight bulb aligning its tabs with the groove in the headlight unit.



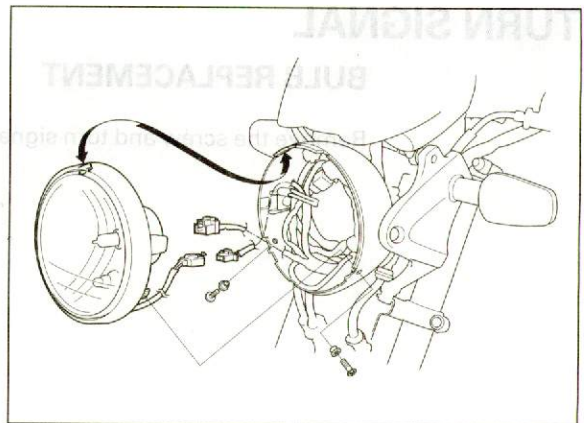
Install the dust cover tightly against the headlight unit with its "TOP" mark facing up.



Install the headlight unit in the reverse order of, removal.

**NOTE:**

While installing the headlight unit, align the tab in the headlight rim with the slit of the headlight case.



**HEADLIGHT CASE REMOVAL/ INSTALLATION**

Remove the headlight unit (page 19-4).

Disconnect the connectors in the headlight case. Remove the socket bolts and nuts, then remove the headlight case.

Installation is in the reverse order of removal.

**NOTE:**

Route the harness and wires properly (page 1-24).

