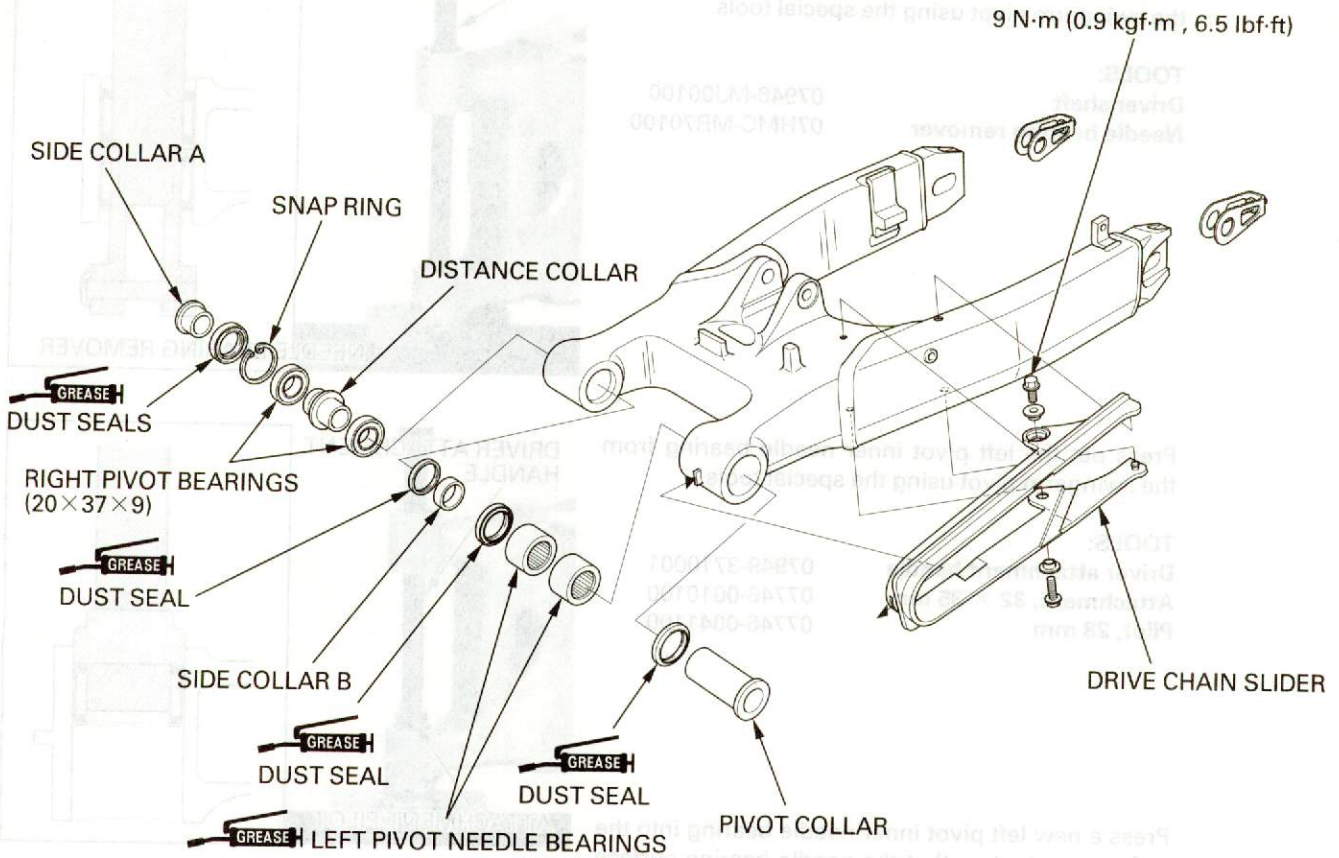
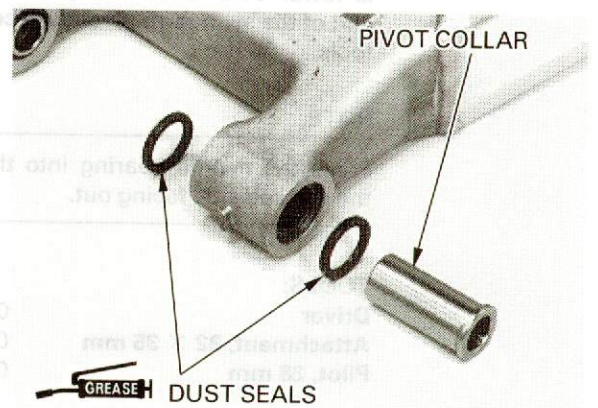


REAR WHEEL/SUSPENSION

ASSEMBLY



Apply grease to the dust seal lips, then install the dust seals and pivot collar into the left swingarm pivot.



Apply grease to the dust seal lips, then install the dust seals and side collars into the right swingarm pivot.

