

## SHOCK ABSORBER DISPOSAL PROCEDURE

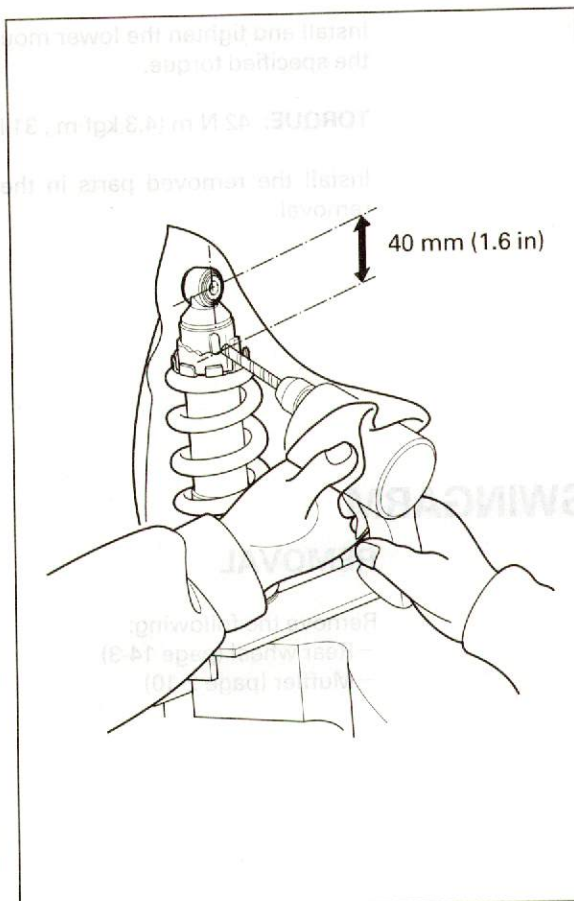
Center punch the damper to mark the drilling point.

Wrap the damper unit inside a plastic bag.  
Support the damper in a vise as shown.  
Through the open end of the bag, insert a drill motor with a sharp 2–3 mm (5/64 – 1/8 in) drill bit.

### ▲ WARNING

- *Do not use a dull drill bit which could cause a build-up of excessive heat and pressure inside the damper, leading to explosion and severe personal injury.*
- *The shock absorber contains nitrogen gas and oil under high pressure. Do not drill any farther down the damper case than the measurement given above, or you may drill into the oil chamber; oil escaping under high pressure may cause serious personal injury.*
- *Always wear eye protection to avoid getting metal shaving in your eyes when the gas pressure is released. The plastic bag is only intended to shield you from the escaping gas.*

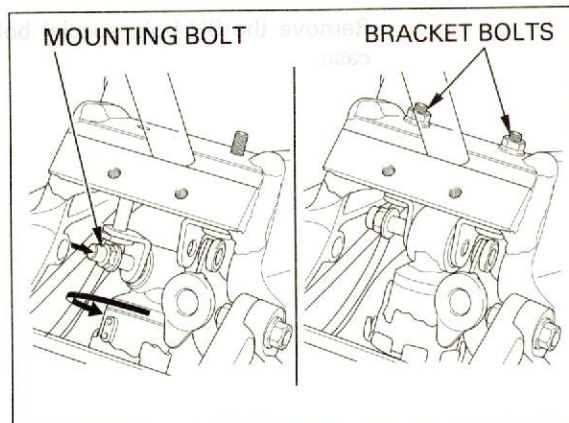
Hold the bag around the drill motor and briefly run the drill motor inside the bag; this will inflate the bag with air from the motor and help keep the bag from getting caught in the bit when you start.



## INSTALLATION

Install the shock absorber upper mounting brackets into the frame.

Install the shock absorber into the frame and install the upper mounting bolt.



Turn the shock absorber and pull up the left bracket. Install the shock absorber upper mounting nut. Set the radiator reserve tank grommet, then tighten the upper mounting bolts/nuts to the specified torque.

**TORQUE:** 42 N·m (4.3 kgf·m , 31 lbf·ft)

