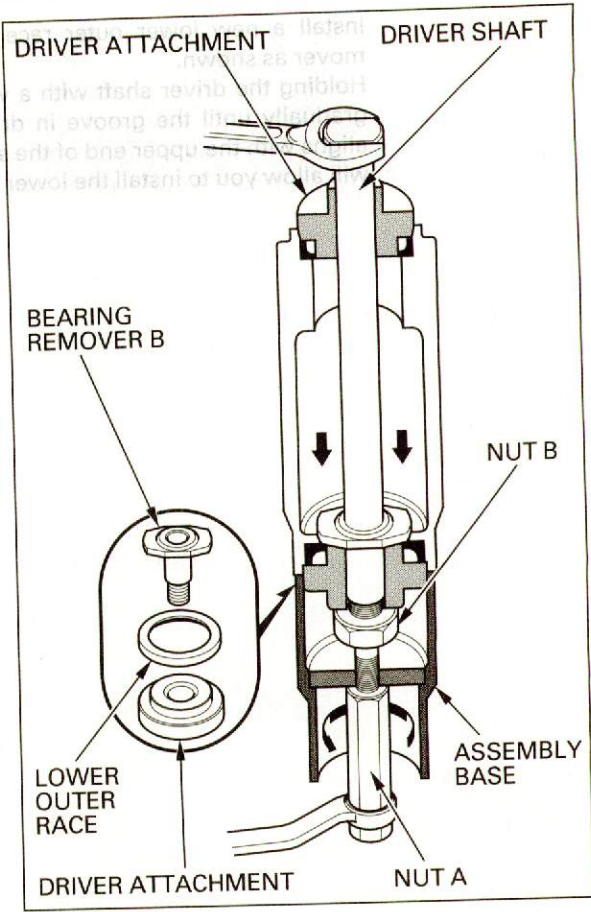
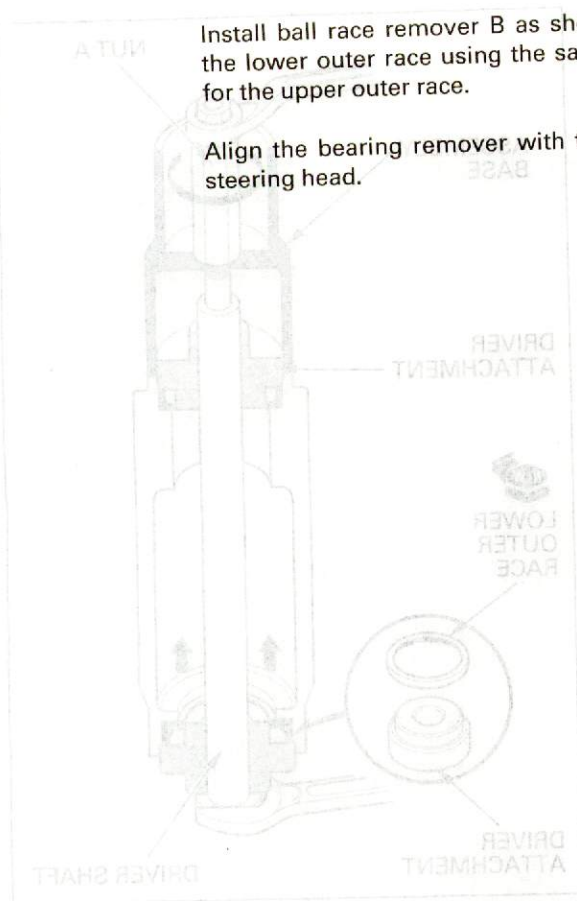


# FRONT WHEEL/SUSPENSION/STEERING

Install ball race remover B as shown and remove the lower outer race using the same procedure as for the upper outer race.

Align the bearing remover with the groove in the steering head.



Install a new upper outer race and the ball race remover as shown.

Hold the driver shaft with a wrench and turn nut A gradually until the groove in driver attachment A aligns with the upper end of the steering head. This will allow you to install the upper outer race.

