

Pour the specified amount of recommended fork fluid into the fork tube.

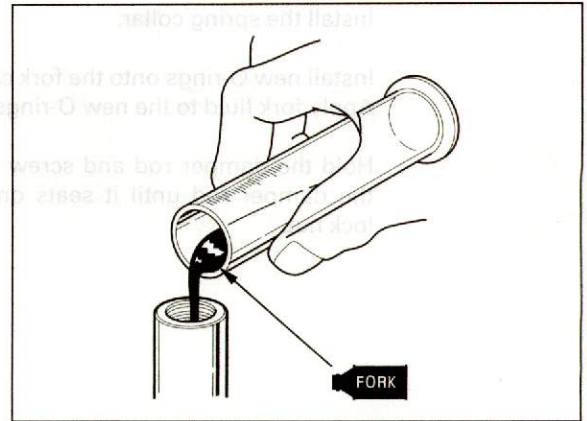
**RECOMMENDED FORK FLUID:**

Fork fluid

**FORK FLUID CAPACITY:**

446 ± 2.5 cm<sup>3</sup> (15.1 ± 0.08 US oz,  
15.7 ± 0.09 Imp oz)

Pump the damper rod several times.

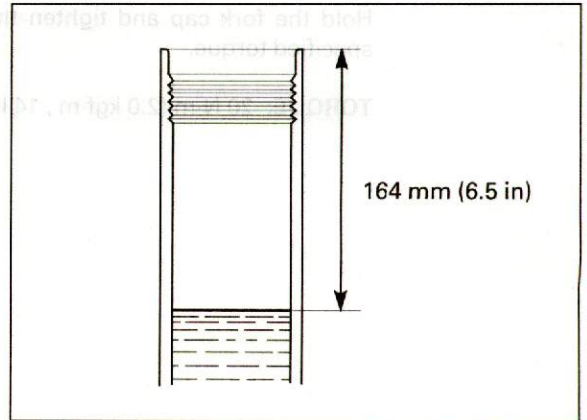


Measure the oil level from the top of the fork tube while compressing the tube all the way after stroking the fork tube slowly more than 5 times and the damper rod more than 10 times.

**NOTE:**

Be sure the oil level is the same in the both forks.

**FORK OIL LEVEL:** 164 mm (6.5 in)



Pull the damper rod up and install the fork spring with the tapered end facing down.



Install the spring joint plate.

Screw the damper rod end nut so that the upper surface of the end nut below 10.5 mm (0.41 in) from top end of the damper rod as shown.

