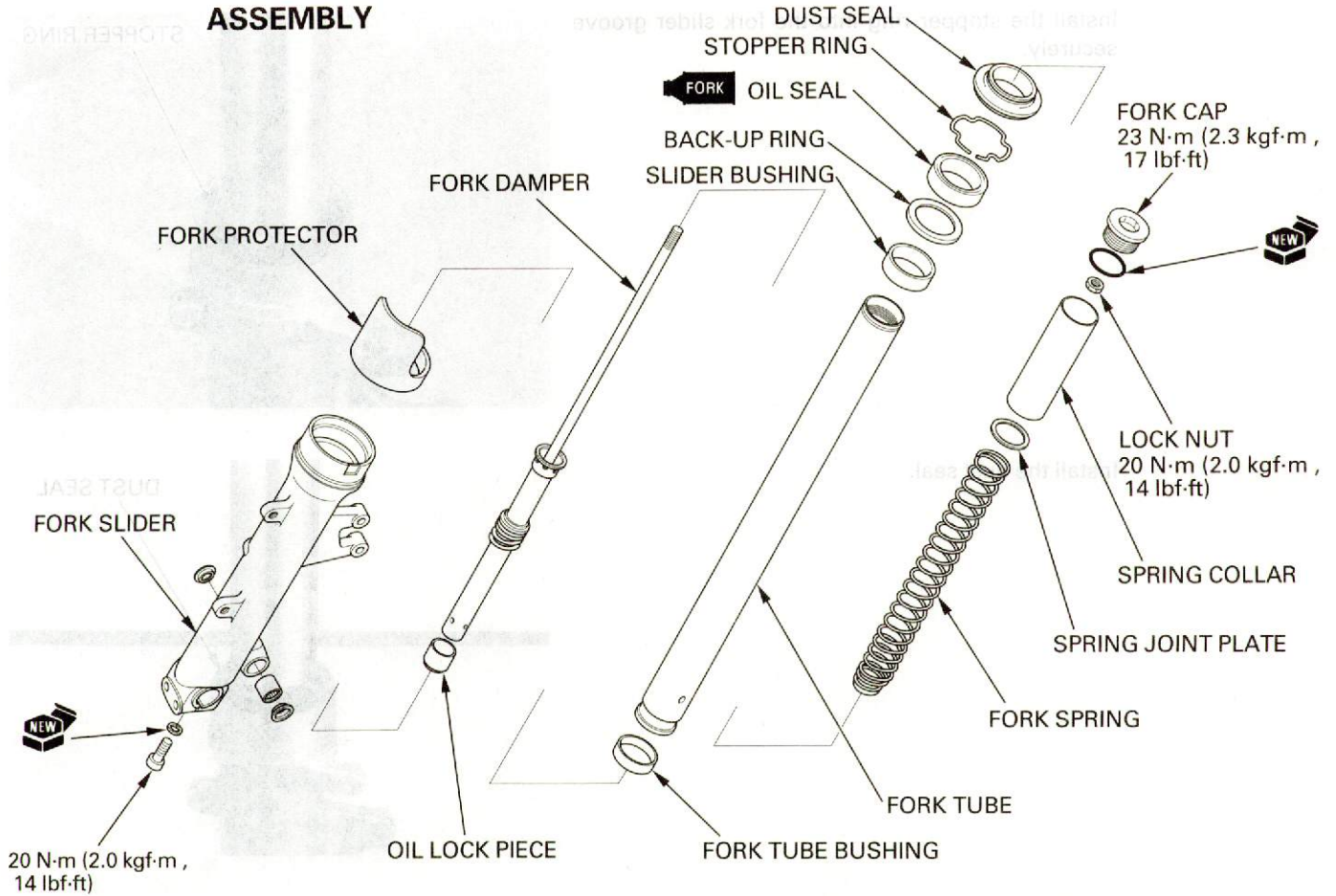


ASSEMBLY

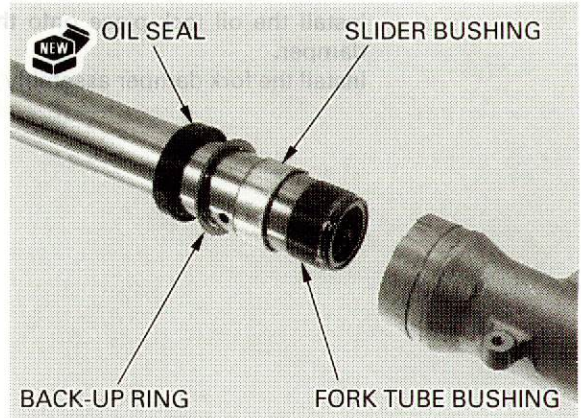


Before assembly, wash all parts with a high flash or non-flammable solvent and wipe them dry.

Install a new fork tube bushing if the bushing has been removed.

Install the slider bushing, back-up ring and a new oil seal.
Install the oil seal with its marked side facing up.

Apply fork fluid to the oil seal lips.
 Install the fork tube into the fork slider.



Drive the oil seal in using the special tools.

TOOL:
Slider weight
Oil seal driver

07947-KA50100
 07947-KA40200

