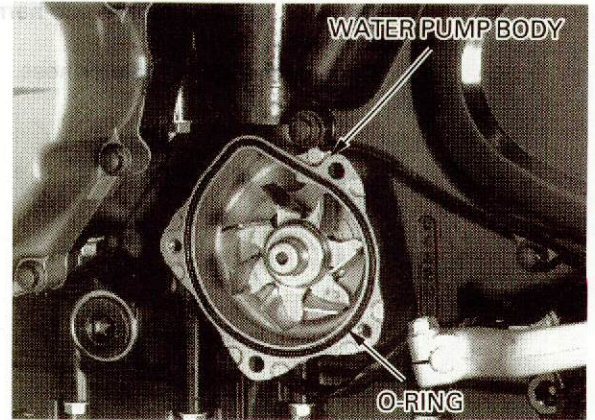
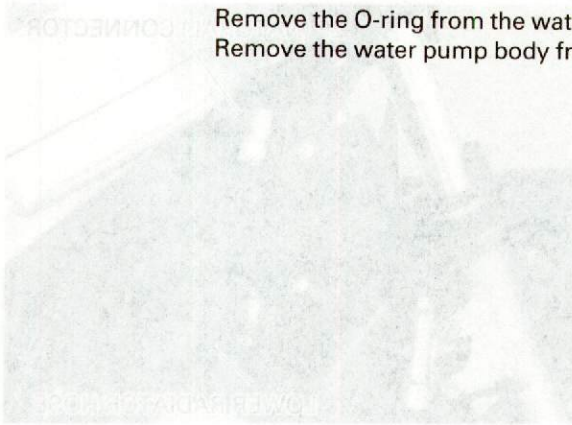
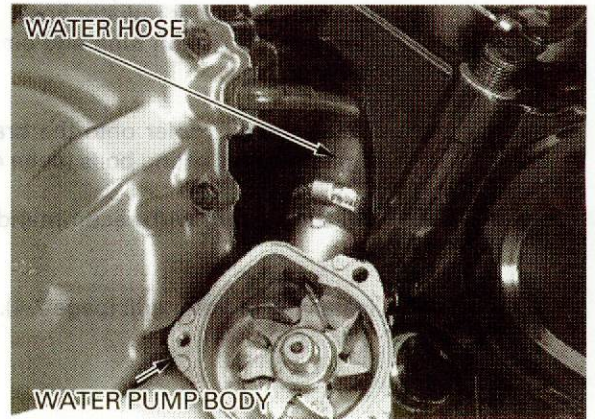
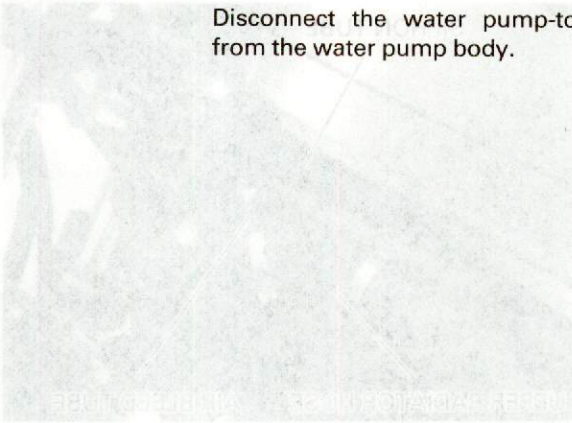


COOLING SYSTEM

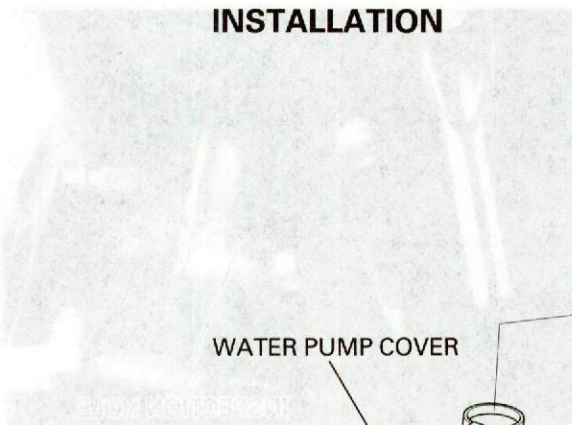
Remove the O-ring from the water pump body.
Remove the water pump body from the crankcase.



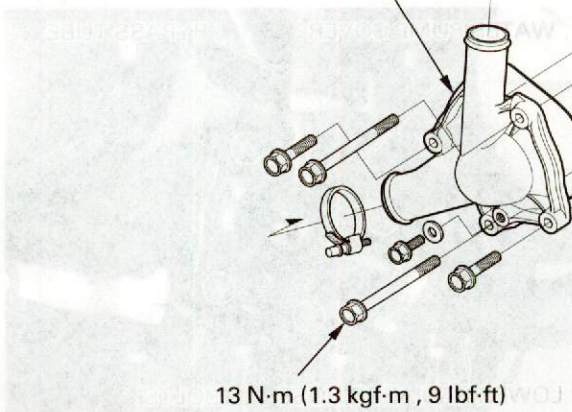
Disconnect the water pump-to-water joint hose from the water pump body.



INSTALLATION



WATER PUMP COVER



13 N·m (1.3 kgf·m , 9 lbf·ft)

MECHANICAL SEAL INSPECTION

