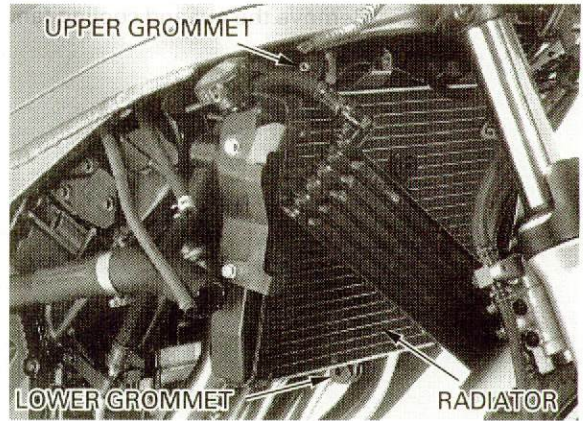


Slide the radiator leftward, then release the upper and lower grommets from the bracket bosses. Remove the heat guard rubber bosses from the cylinder head holes. Remove the radiator assembly.

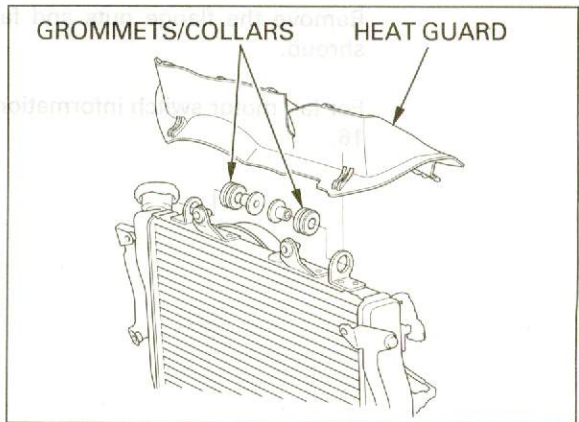
CAUTION:

Be careful not to damage the radiator core.



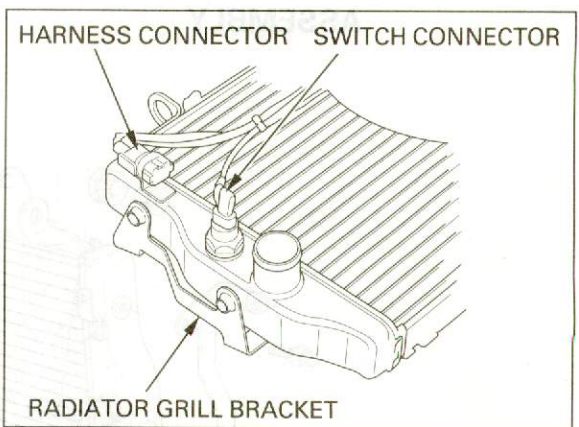
DISASSEMBLY

Remove the collars and grommets from the radiator mounting bosses, then remove the heat guard from the radiator.



Release the fan motor sub-harness connector from the radiator bracket. Disconnect the fan motor switch connector.

If necessary, remove the bolts and radiator grill mounting brackets.



Release the radiator sub-harness from the clamp. Remove the three bolts, ground eyelet and cooling fan motor shroud assembly.

