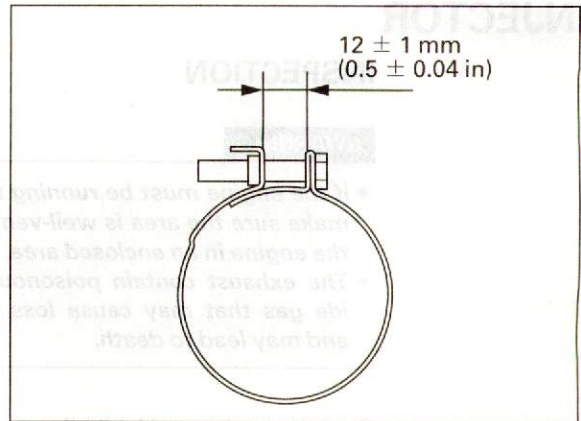
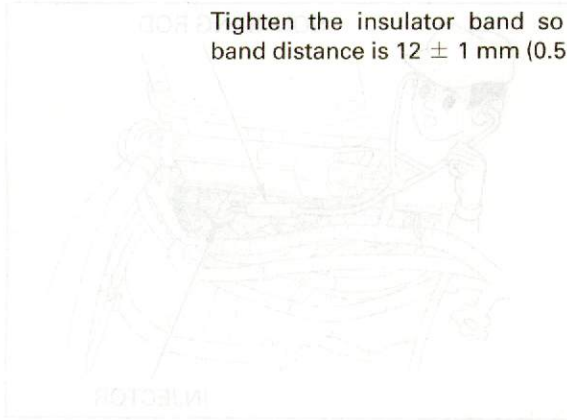
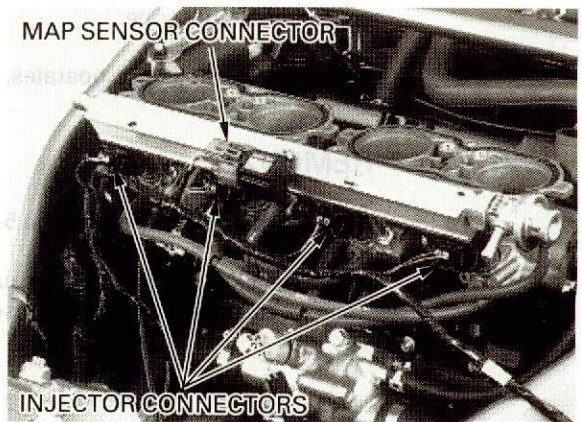
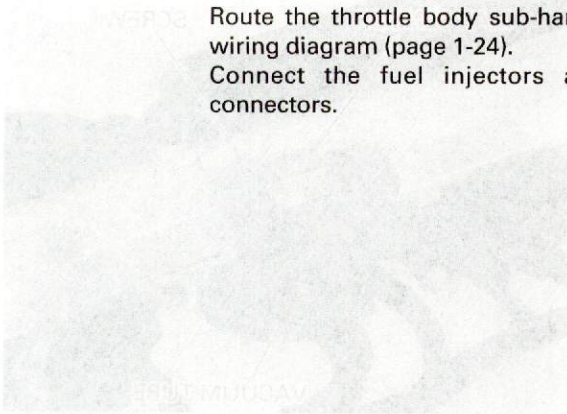


FUEL SYSTEM (Programmed Fuel Injection)

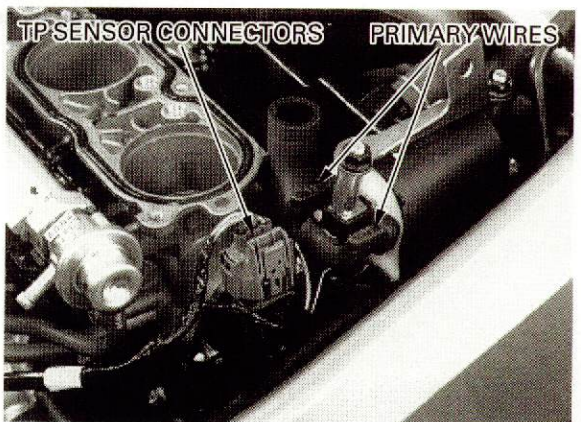
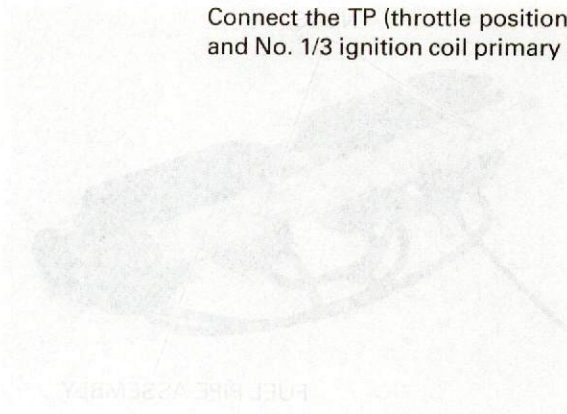
Tighten the insulator band so that the insulator band distance is 12 ± 1 mm (0.5 ± 0.04 in).



Route the throttle body sub-harness referring the wiring diagram (page 1-24). Connect the fuel injectors and MAP sensor connectors.



Connect the TP (throttle position) sensor connector and No. 1/3 ignition coil primary wires.



Install the choke cable bracket, then tighten the bolt securely.

Install the throttle cable guide bracket to the throttle body, then tighten the bolts to the specified torque.

TORQUE: 3 N·m (0.35 kgf·m , 2.5 lbf·ft)

Install the removed parts in the reverse order of removal.

