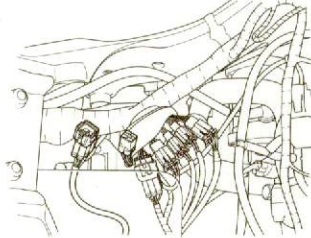


FUEL SYSTEM (Programmed Fuel Injection)

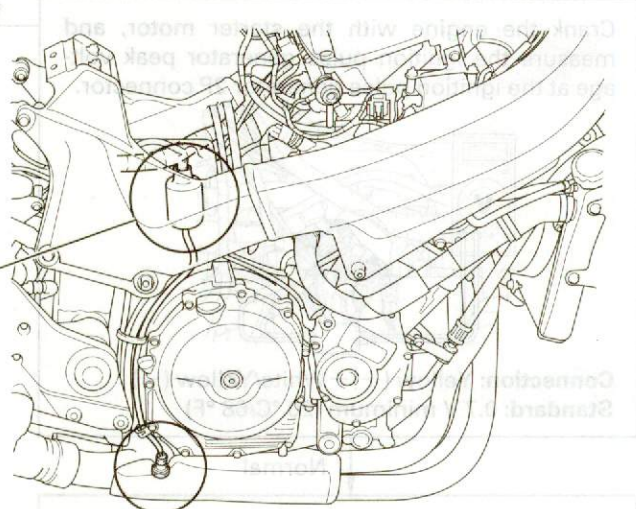
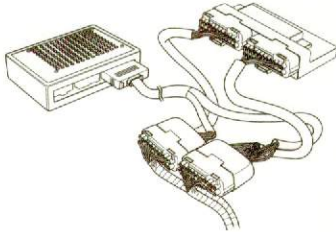
PGM-FI WARNING INDICATOR 21 BLINKS (O₂ SENSOR)

Turn the ignition switch OFF.

Disconnect the O₂ sensor connector. Check for loose or poor contact on the O₂ sensor connector.

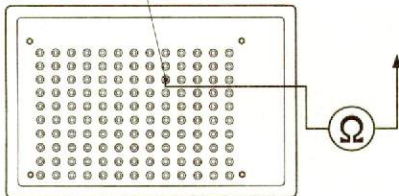


Disconnect the ECM connectors. Connect the test harness to ECM connectors.



Check the continuity between the test pin box terminal and O₂ sensor connector terminal.

No.35



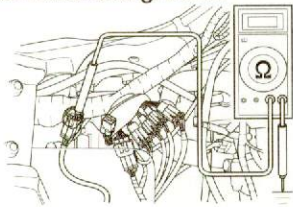
Connection: White/Orange – No. 35
Standard: Continuity

No continuity

• Open circuit in O₂ sensor White/Orange wire

Continuity

Check the continuity between the O₂ sensor connector terminal and ground.



Connection: Green/Orange – Ground
Standard: No continuity

Continuity

• Short circuit in O₂ sensor Green/Orange wire

No continuity