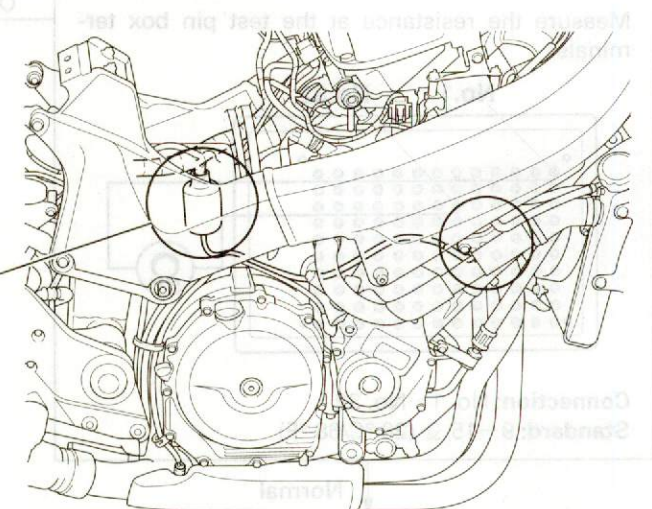
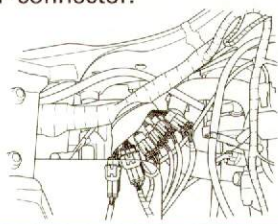


FUEL SYSTEM (Programmed Fuel Injection)

PGM-FI MALFUNCTION INDICATOR 18 BLINKS (CAM PULSE GENERATOR)

Turn the ignition switch OFF.

Disconnect the cam pulse generator 2P connector.
Check for loose or poor contact on the cam pulse generator 2P connector.



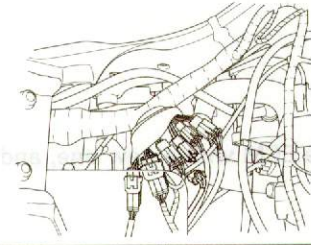
Connect the cam pulse generator 2P connector.
Place the motorcycle on its side stand.
Turn the ignition switch ON and check the malfunction indicator blinks.

No blinks

• Loose or poor contacts on the cam pulse generator 2P connector

18 blinks

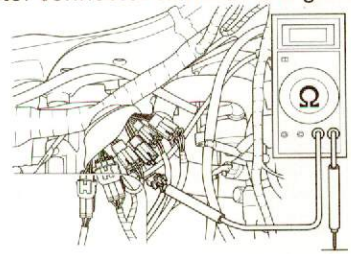
Turn the ignition switch OFF and the engine stop switch OFF.
Disconnect the cam pulse generator 2P connector.



Turn the ignition switch OFF.
Check the continuity between the cam pulse generator connector terminal and ground.

Continuity

• Faulty cam pulse generator



Connection: White/Yellow—Ground
Gray—Ground
Standard: No continuity

No continuity