

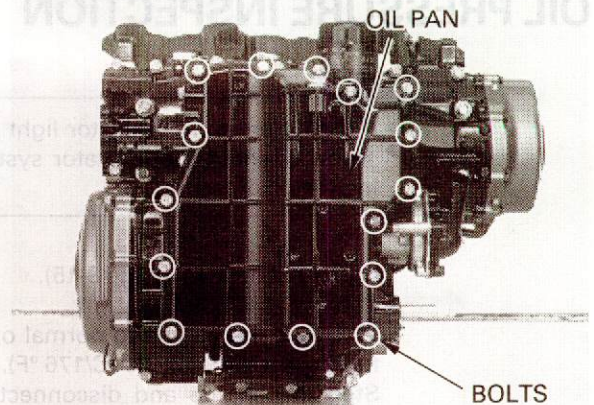
LUBRICATION SYSTEM

OIL STRAINER/PRESSURE RELIEF VALVE

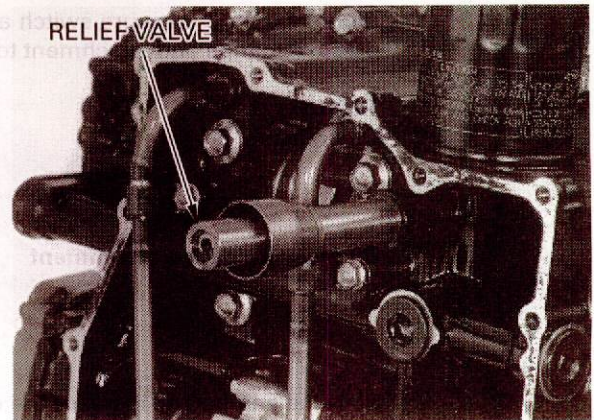
REMOVAL

Drain the engine oil (page 3-16).
Remove the exhaust pipe (page 2-10).

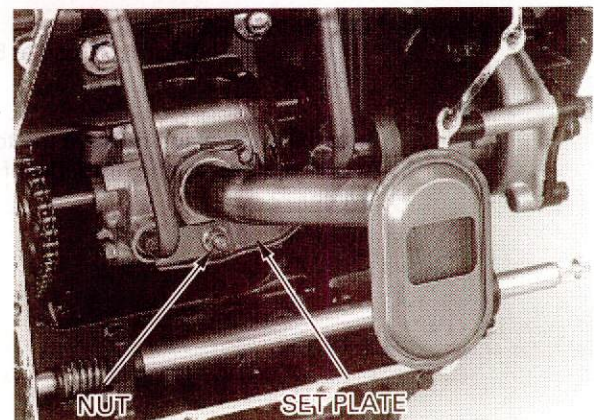
Remove the oil pan flange bolts.
Disconnect the oil return pipe from the lower
crankcase and remove the oil pan.



Remove the pressure relief valve and O-ring.



Remove the oil strainer and oil pipe set plate nut
and plate.



Remove the oil strainer and gasket.
Clean the oil strainer screen.

