

## MAINTENANCE

Check the attaching bolts and nuts on the drive and driven sprockets.  
If any are loose, torque them.

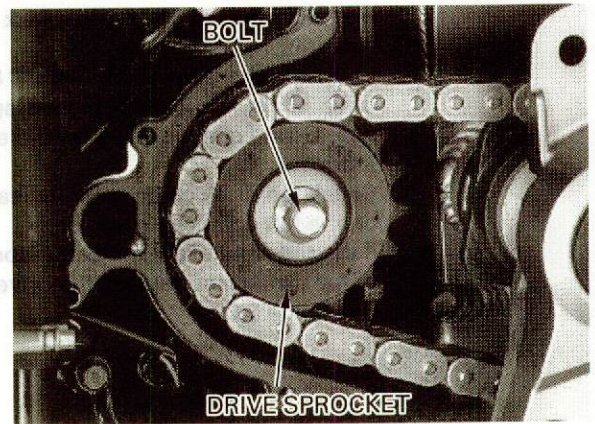
### TORQUE:

#### Drive sprocket bolt:

54 N·m (5.5 kgf·m , 40 lbf·ft)

#### Driven sprocket nut:

108 N·m (11.0 kgf·m , 80 lbf·ft)



## REPLACEMENT

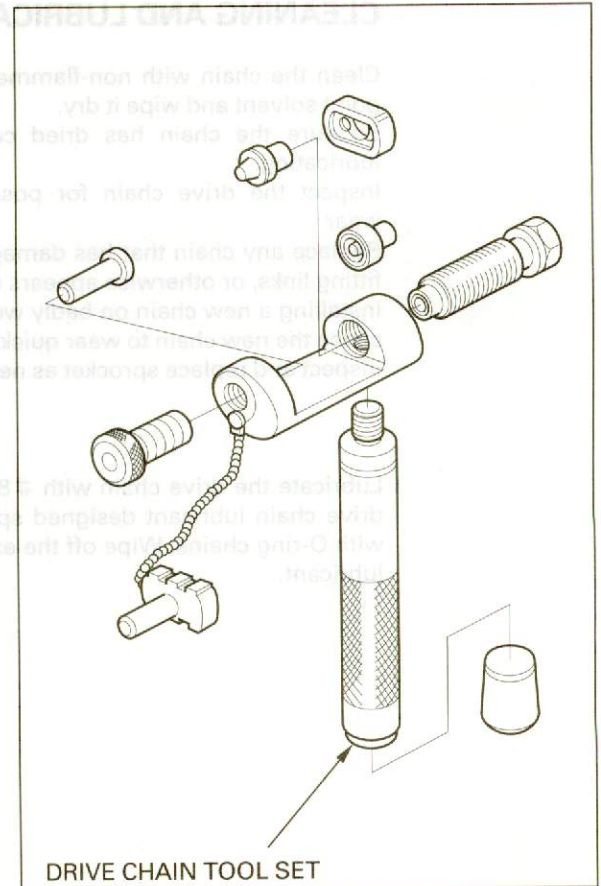
This motorcycle uses a drive chain with a staked master link.  
Loosen the drive chain (page 3-20).  
Assemble the special tool as shown.

### TOOL:

Drive chain tool set 07HMH-MR10103

### NOTE:

When using the special tool, follow the manufacturer's instruction.



Locate the crimped pin ends of the master link from the outside of the chain, and remove the link with the drive chain tool set.

### TOOL:

Drive chain tool set 07HMH-MR10103

Remove the drive chain.

