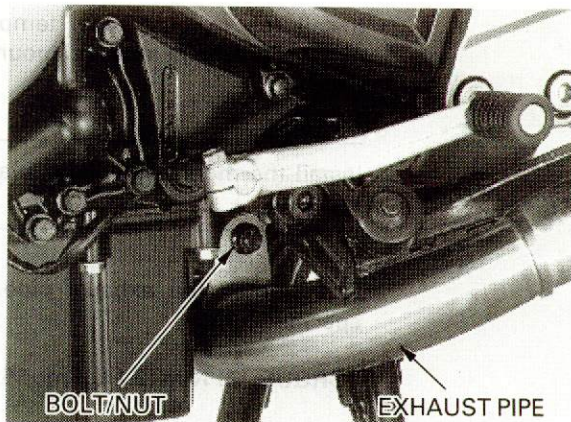
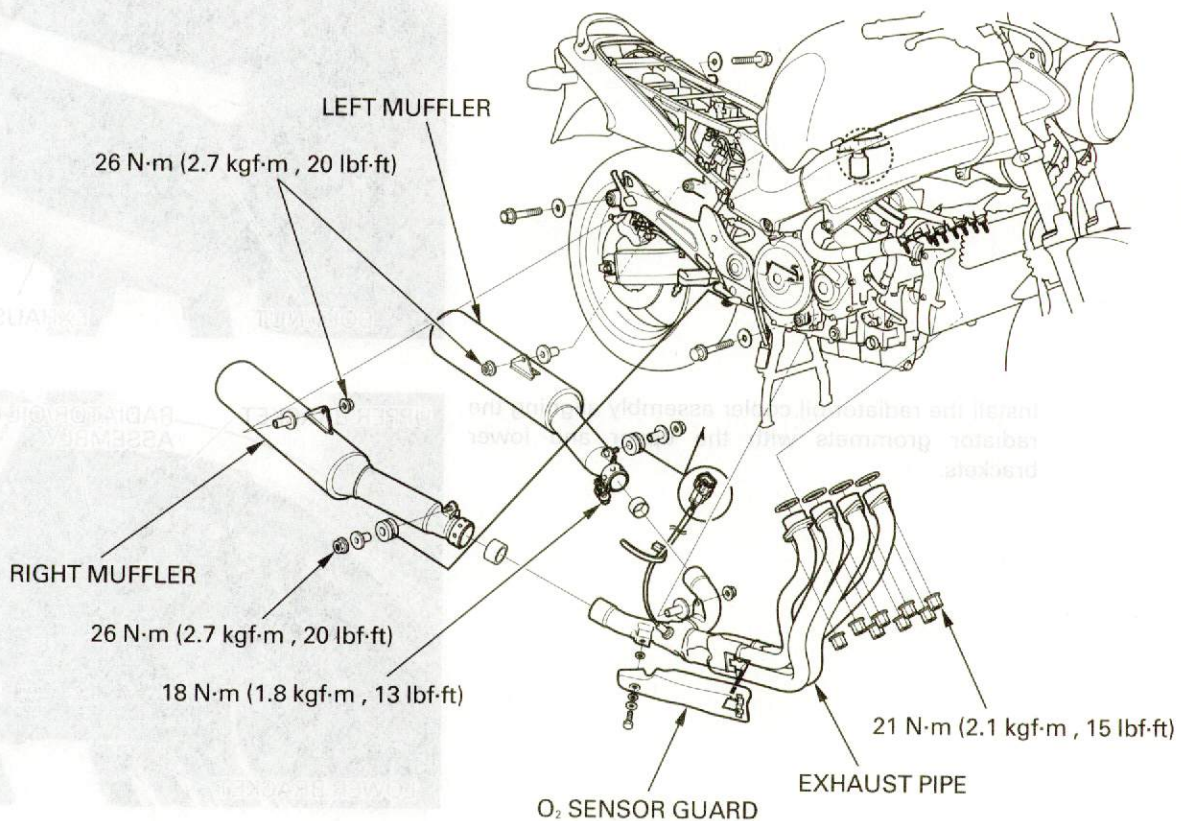


Remove the following:

- Exhaust pipe mounting bolt/nut
- Washer
- Collar
- Exhaust pipe
- Exhaust pipe gaskets



## INSTALLATION



Install the new exhaust pipe gaskets onto the exhaust ports of the cylinder head.

**NOTE:**

Always replace the exhaust pipe gaskets with new ones.

