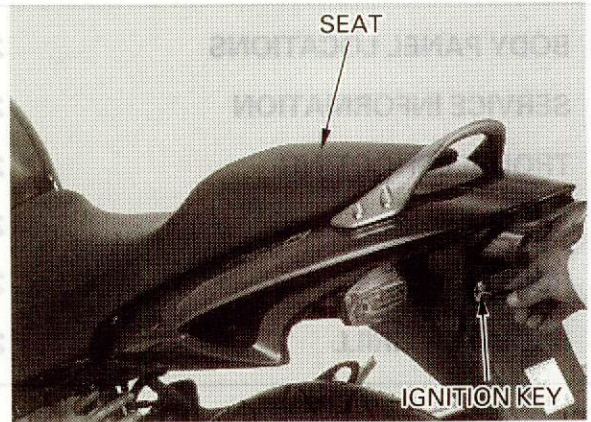


SEAT

REMOVAL

Unlock the seat using the ignition key.

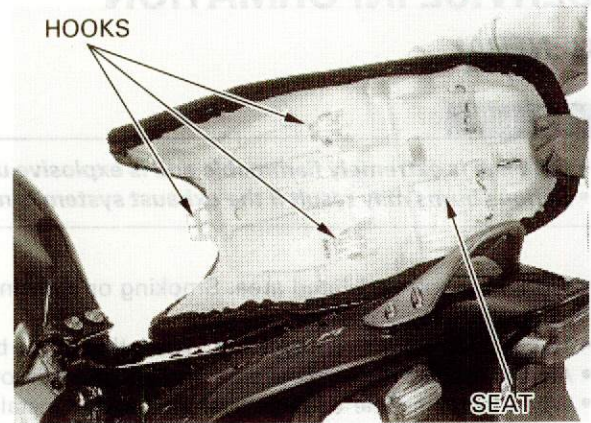
Remove the seat backward.



INSTALLATION

Align the seat hooks with the frame brackets and install the seat.

Push the rear end of the seat and lock it.



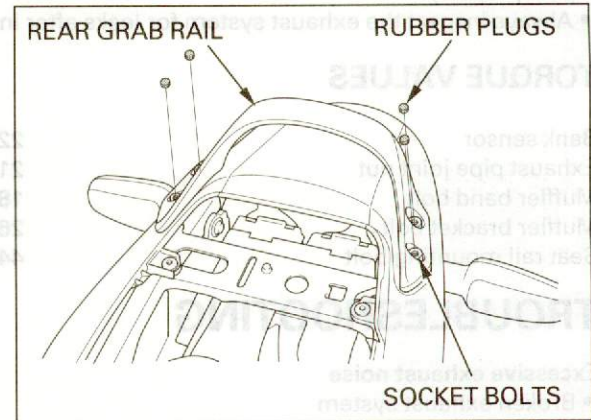
REAR COWL

REMOVAL

Remove the seat (see above).

Remove the rear grab rail mounting bolt rubber plugs.

Remove the mounting bolts and rear grab rail.



Remove the two trim clips under the rear cowl.

