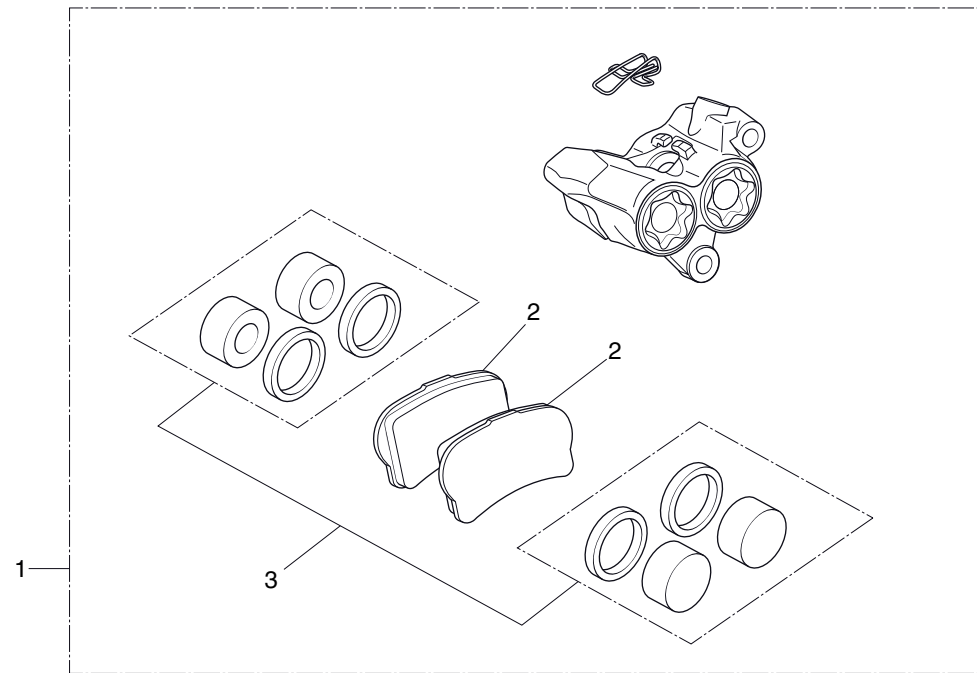


Block No.
F-08
 Front brake caliper



| Ref.No. | Part No. | Description | Qty. '17 | Ref.No. | Part No. | Description | Qty. '17 |
|---------|---------------|--|-------------|---------|----------|-------------|-------------|
| 1 | 45100-NN4-L60 | CALIPER ASSY., FR (BLACK RED CAPS) | 1 | | | | |
| 2 | 45105-NN4-K20 | PAD COMP., FR | 2 | | | | |
| 3 | 45120-NN4-K20 | PISTON SET, FR CALIPER | 1 | | | | |