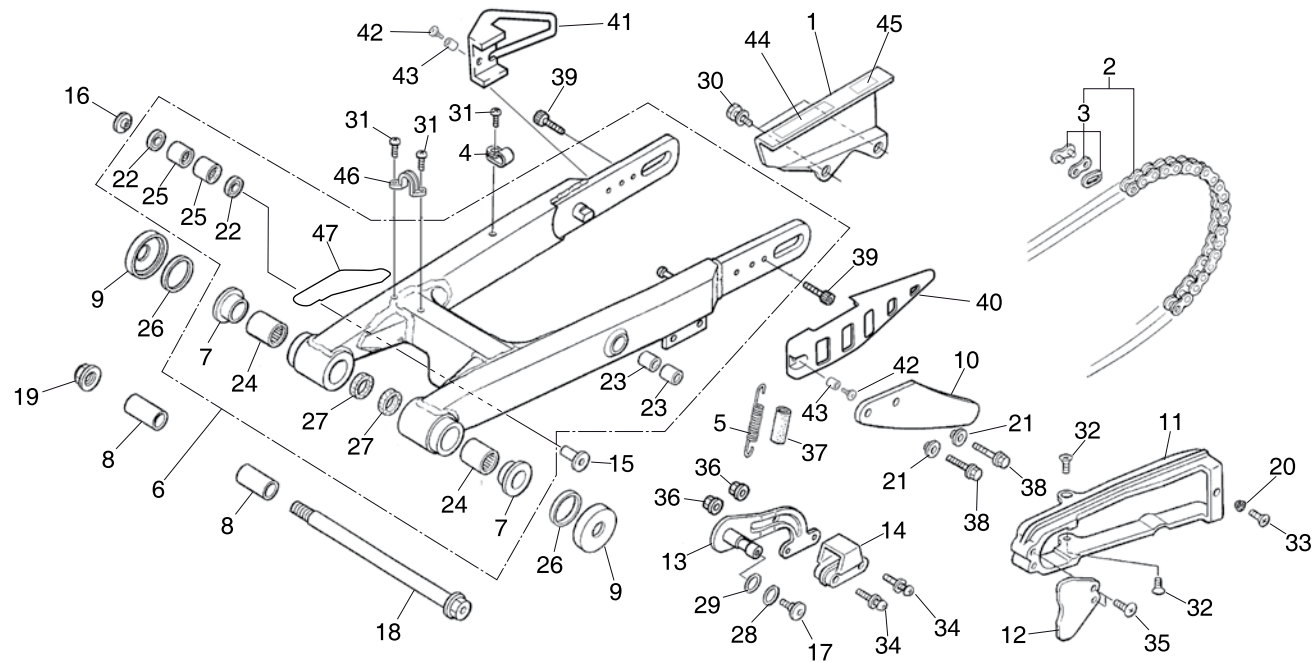


Block N.º
F-19
Swingarm



No.	Part Number	Description	Qty.	No.	Part Number	Description	Qty.
1	40510-NN3-000	CASE, DRIVE CHAIN	1	17	90102-GM2-000	BOLT, CHAIN TENSOR	1
2	40530-NN2-000	CHAIN, DRIVE.....	1	18	90117-NN4-000	BOLT, SWINGARM PIVOT.....	1
3	40531-NN2-000	JOINT, DRIVE CHAIN	1	19	90201-GC4-000	NUT, FLANGE 14mm	1
4	43468-NN2-700	CLIP, RR BRK HOSE.....	1	20	90502-NN4-000	WASHER SPL	1
5	46514-KY2-700	SPRING, BRAKE PEDAL RETURN	1	21	90503-KRN-000	WASHER, FENDER SETTING	2
6	52100-NN4-J20	SWINGARM ASSY (BLACK)	1	22	91051-NN1-000	SEAL, BEARING 15X21X3	2
7	52109-KA4-701	BUSH, PIVOT THRUST.....	2	23	91052-NN0-000	BUSH, CHAIN TENSIONER.....	2
8	52141-NN2-000	COLLAR, RR FORK.....	2	24	91071-MA0-003	BEARING, PIVOT	2
9	52144-KA3-731	CAP, DUST SEAL	2	25	91071-NN1-000	BEARING, NEEDLE 15X21X12	2
10	52157-NN4-J10	PROTECTOR, SPRKT.....	1	26	91253-KA3-731	DUST SEAL 32X36.8X8	2
11	52170-NN4-000	SLIDER, CHAIN.....	1	27	91254-KS6-003	DUST SEAL 20X2.6X4.5	2
12	52171-NN3-000	COVER, SPRKT	1	28	91305-422-000	O-RING, 9.8X2.4	1
13	52181-NN4-000	TENSIONER COMP, CHAIN.....	1	29	91362-ZC3-000	O-RING, 13.8X2.4	1
14	52182-NN4-J10	SLIPPER, CHAIN TENS	1	30	93404-06014-00	BOLT-WASH, 6X14.....	2
15	52463-NN3-010	COLLAR L., CUSH RINK.....	1	31	93500-05008-0A	SCREW, PAN 5X8	2
16	52464-NN3-010	COLLAR R., CUSH RINK.....	1	32	93600-05012-0G	SCREW, FLAT 5X12	2