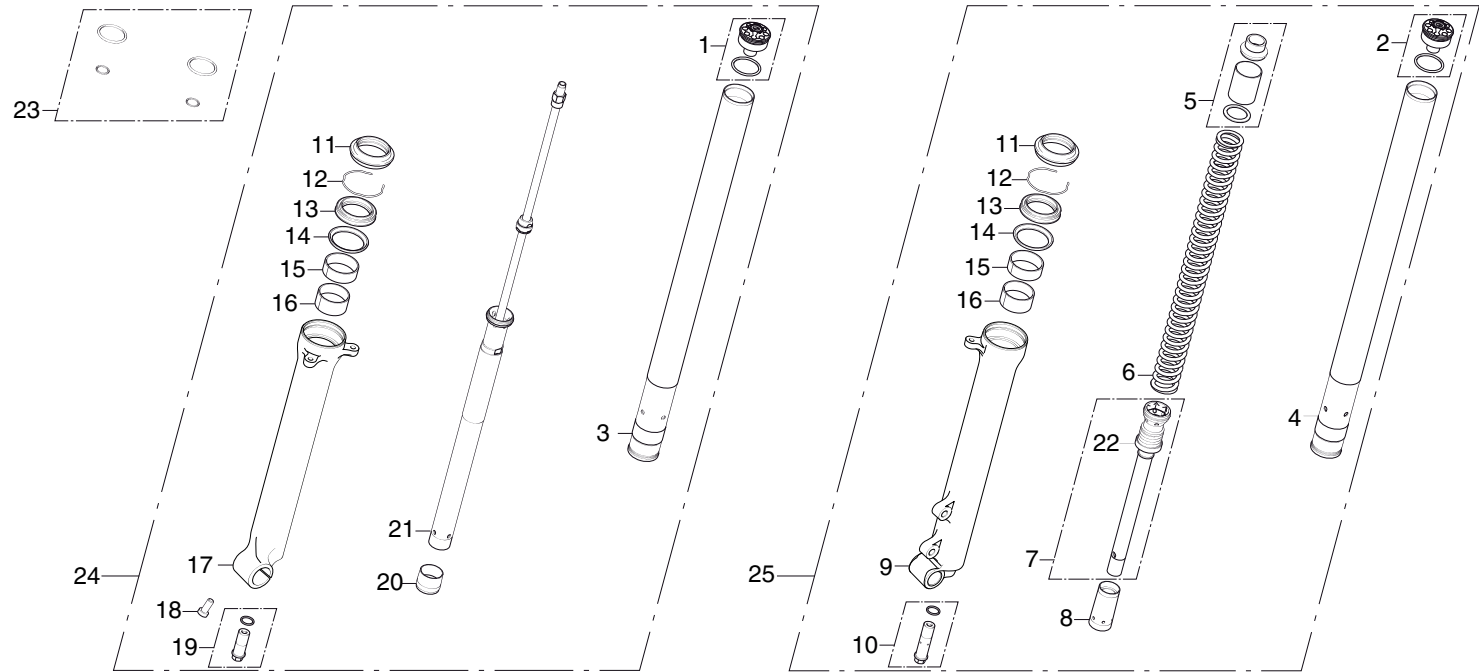


Block N.º  
**F-7 (ED/3ED)**  
 Front fork (Tech)



No.	Part Number	Description	Qty.	No.	Part Number	Description	Qty.
1	51450-NN4-J11	GROUP TOP CAP EXTENSION .....	1	17	51420-NN4-M11	CASE, RH. BOTTOM.....	1
2	51550-NN4-J11	GROUP TOP CAP PRELOAD SPRING .....	1	18	90116-NN4-M11	BOLT, SOCKET, 8mm.....	1
3	51410-NN4-M11	PIPE COMP., RH. FR FROK .....	1	19	51441-NN4-J11	GROUP LOCK SCREW HYDRAULIC PUMP .....	1
4	51510-NN4-M11	PIPE COMP., LH. FR FROK .....	1	20	51421-NN4-J11	PLATE, CENTERING .....	1
5	51502-NN4-K11	GROUP SPACERS SPRING.....	1	21	51430-NN4-J11	DAMPER COMP., RH. FR .....	1
6	51501-NN4-K11	FORK SPRING .....	1	22	51437-NN4-J11	RING, PISTON.....	1
7	51530-NN4-J11	CYLINDER COMP., FR.....	1	23	51458-NN4-J11	GROUP RINGS SEAL .....	1
8	51531-NN4-J11	CONE LIMIT LEFT.....	1	24	51400-NN4-M10	FORK ASSY., RH. FR .....	1
9	51520-NN4-M11	CASE, LH. BOTTOM.....	1	25	51500-NN4-M10	FORK ASSY., LH. FR.....	1
10	51541-NN4-J11	NEEDLE REGULATION GROUP .....	1				
11	51422-NN4-L10	SEAL, DUST.....	2				
12	51447-NN4-J11	RING, OIL SEAL STOP.....	2				
13	51425-NN4-J11	SEAL, OIL.....	2				
14	51412-NN4-J11	RING STOP BUSHING OIL SEAL .....	2				
15	51415-NN4-J11	BUSH .....	2				
16	51414-NN4-J11	BUSH .....	2				