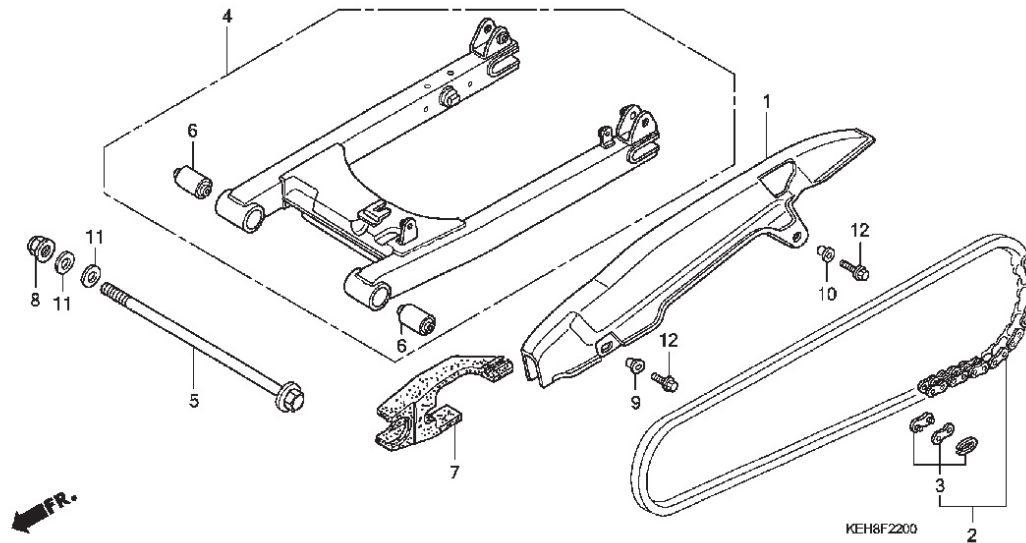


F - 22

Swingarm / Chain Case



Bagian yang diservice	F.R.T.	Nomor Petunjuk	Nomor Part	Uraian Part	Jumlah	Nomor Serie	Catatan
CASE, DRIVE CHAIN	0.1	1	40510-KEH-600	CASE, DRIVE CHAIN	1		
CHAIN, DRIVE	0.2	2	40530-KAH-850	CHAIN, DRIVE	1		
SWINGARM ASSEMBLY	0.8	3	40531-355-013	JOINT, DRIVE CHAIN	1		
BUSH, SWINGARM PIVOT	1.1	4	52100-KEH-600	SWINGARM ASSY., RR.*NH1* BLACK	1		
.NOTE: SAME TIME FOR TWO UNITS		5	52101-KEH-600	BOLT, SWINGARM PIVOT	1		
SLIDER, CHAIN	0.7		52147-KC5-000	BUSH, RR. FORK PIVOT	2		
		7	52170-KEH-900	SLIDER, DRIVE CHAIN	1		
		8	90306-KGH-901	NUT, U, 12MM	1		
		9	90513-405-000	WASHER, 6X9	1		
		10	90563-KC5-000	WASHER, CHAIN CASE SETTING	1		
		11	94101-12000	WASHER, PLAIN, 12MM	2		
		12	95701-06012-07	BOLT, FLANGE, 6X12	2		

3