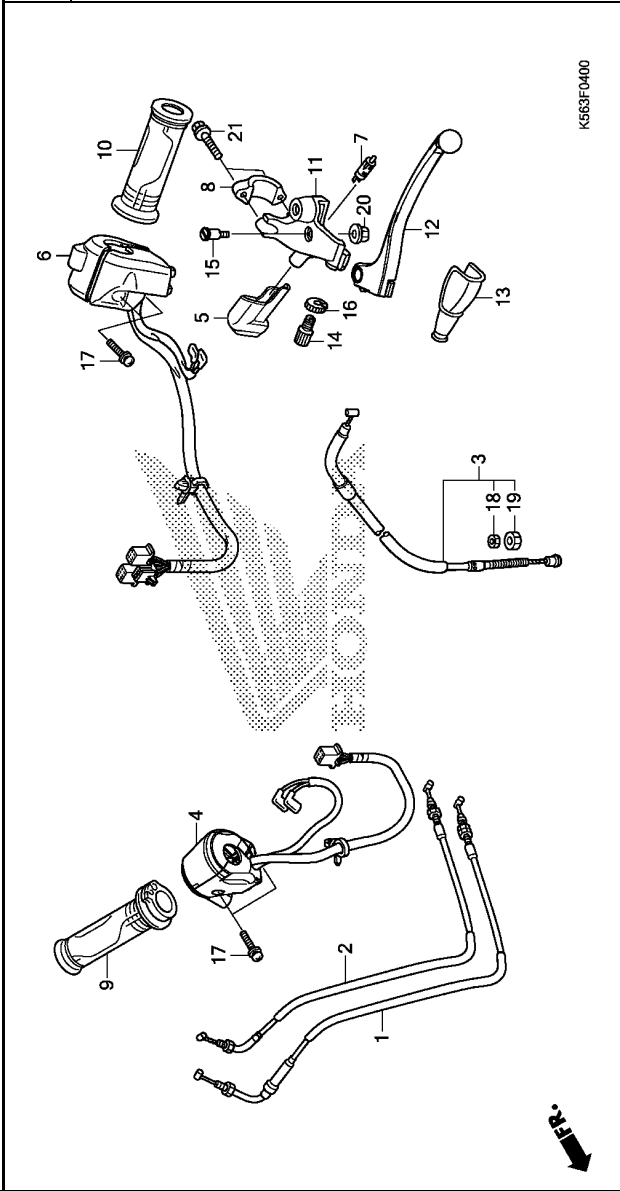


Ref. No.	L.O.N.	(Relative ref. Number)	Description	F.R.T.
1	811100	(2)	CABLE, THROTTLE	0.8
.NOTE: Same time for two units				
3	811115		CABLE, CLUTCH	0.6
4	615116		SWITCH, STARTER	0.5
6	615118		SWITCH, WINKER	0.5
7	6151A9		SWITCH, CLUTCH	0.4
9	810150		GRIP, THROTTLE	0.3
10	8101C0		GRIP, HANDLE :LEFT	0.1
11	8101C8		BRACKET, HANDLE LEVER :LEFT ..	0.3
12	8101C6		LEVER, HANDLE :LEFT	0.2
	8101F5		LEVER, HANDLE :BOTH	0.3



Ref. No.	Part No.	Description	Reqd. QTY	Serial No.	Parts catalogue code
			FS 150R G		
1	17910-K56-N00	CABLE COMP. A, THROTTLE	1		
2	17920-K56-N00	CABLE COMP. B, THROTTLE	1		
3	22870-K56-N00	CABLE COMP., CLUTCH	1		
4	35150-K56-N01	SWITCH ASSY., STARTER	1		
5	35152-KRY-970	COVER, CLUTCH SWITCH	1		
6	35200-K56-N01	SWITCH ASSY., WINKER	1		
7	35330-413-003	SWITCH COMP., FR. LEVER	1		
8	45517-166-006	HOLDER, MASTER CYLINDER	1		
9	53140-K15-900	GRIP COMP., THROTTLE	1		
10	53166-KYJ-900	GRIP, L. HANDLE	1		
11	53172-KT7-751	BRACKET, HANDLE LEVER	1		
12	53178-KYE-900	LEVER COMP., L. HANDLE	1		
13	53180-425-010	BOOT, HANDLE LEVER	1		
14	53192-349-690	BOLT, CLUTCH WIRE ADJUSTING ..	1		
15	90113-438-000	BOLT, L. STEERING HANDLE LEVER PIVOT	1		
16	90321-MR8-000	NUT, FIXING	1		
17	93892-05020-07	SCREW-WASHER, 5X20	4		
18	94002-08000-0S	NUT, HEX., 8MM	1		
19	94030-08000	NUT, HEX., 8MM	1		
20	94050-06000	NUT, FLANGE, 6MM	1		
21	96001-06022-07	BOLT, FLANGE, 6X22	2		

