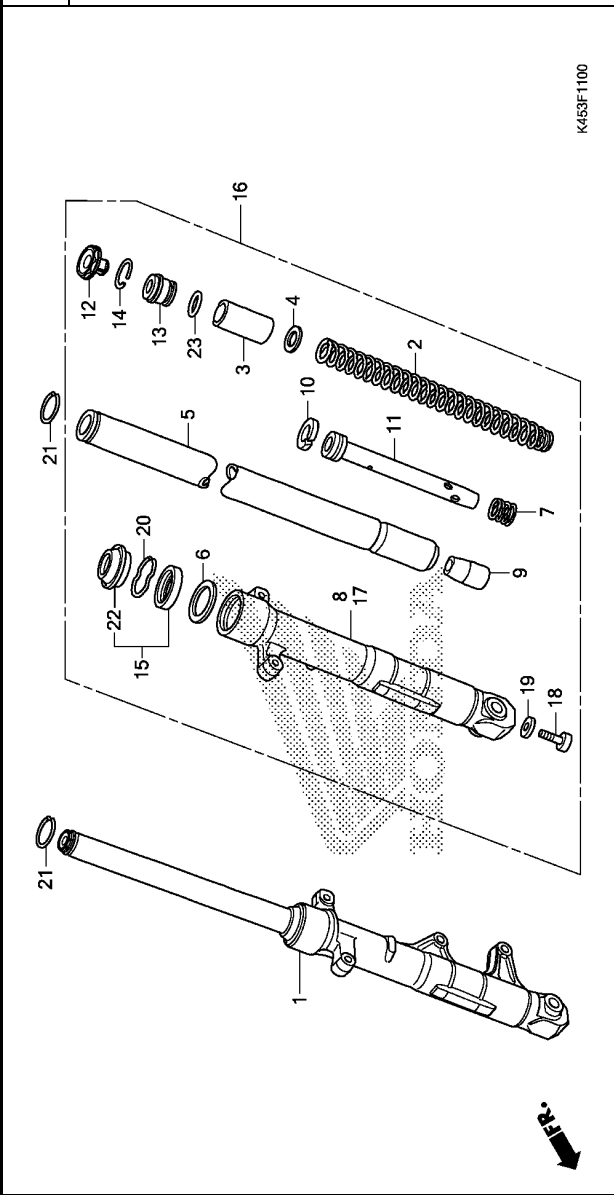


F-11

FRONT FORK

Ref. No.	L.O.N.	(Relative ref. Number)	Description	F.R.T.
1	5111C3		FORK ASSY., FRONT :RIGHT	0.5
2	5111C5		SPRING, FRONT FORK :LEFT	0.7
	5111C6		SPRING, FRONT FORK :RIGHT	0.7
	5111C7		SPRING, FRONT FORK :BOTH	1.1
5		(7,9,10,11)		
	5111G2		PIPE, FRONT FORK :LEFT	0.8
	5111G3		PIPE, FRONT FORK :RIGHT	0.8
	5111G4		PIPE, FRONT FORK :BOTH	1.3
8	5111D2		CASE, BOTTOM :RIGHT	0.9
15	5111E7		SEAL SET, FRONT FORK :LEFT	0.8
	5111E8		SEAL SET, FRONT FORK :RIGHT	0.8
	5111E9		SEAL SET, FRONT FORK :BOTH	1.3
16	5111C2		FORK ASSY., FRONT :LEFT	0.5
17	5111C4		FORK ASSY., FRONT :BOTH	0.7
	5111D1		CASE, BOTTOM :LEFT	0.9
	5111D3		CASE, BOTTOM :BOTH	1.5



Ref. No.	Part No.	Description	Reqd. QTY		Serial No.	Parts catalogue code
			CBR	H		
1	51400-K45-N41	FORK ASSY., R. FR. (SHOWA)	1	2		
2	51401-K45-N41	SPRING, FR. FORK	2	2		
3	51402-K15-921	COLLAR, SPRING(SHOWA)	2	2		
4	51403-447-731	PLATE, SPRING JOINT(SHOWA)	2	2		
5	51410-K45-N41	PIPE COMP., FR. FORK	2	2		
6	51412-KFN-851	RING, BACK UP	2	2		
7	51412-KSP-901	SPRING, REBOUND	2	2		
8	51420-K15-921	CASE COMP., R. BOTTOM(SHOWA)	1	1		
9	51432-KFN-851	PIECE, OIL LOCK	2	2		
10	51437-KM6-901	RING, PISTON	2	2		
11	51440-K45-N41	PIPE, SEAT	2	2		
12	51449-K45-N41	CAP, FORK PIPE	2	2		
13	51454-K45-N41	SEAT, SPRING UPPER	2	2		
14	51456-K45-N41	RING, STOPPER	2	2		
15	51490-KRM-852	SEAL SET, FR. FORK	2	2		
16	51500-K45-N41	FORK ASSY., L. FR. (SHOWA)	1	1		
17	51520-K15-921	CASE COMP., L. BOTTOM(SHOWA)	1	1		
18	90116-KAG-901	BOLT, SOCKET, 8MM(SHOWA)	2	2		
19	90544-KFN-851	WASHER, SPECIAL, 8MM	2	2		
20	90601-KFN-851	RING, OIL SEAL STOPPER	2	2		
21	90651-KRO-000	RING, SNAP	2	2		
22	91254-GAA-003	DUST SEAL	2	2		
23	91356-GBB-003	O-RING	2	2		