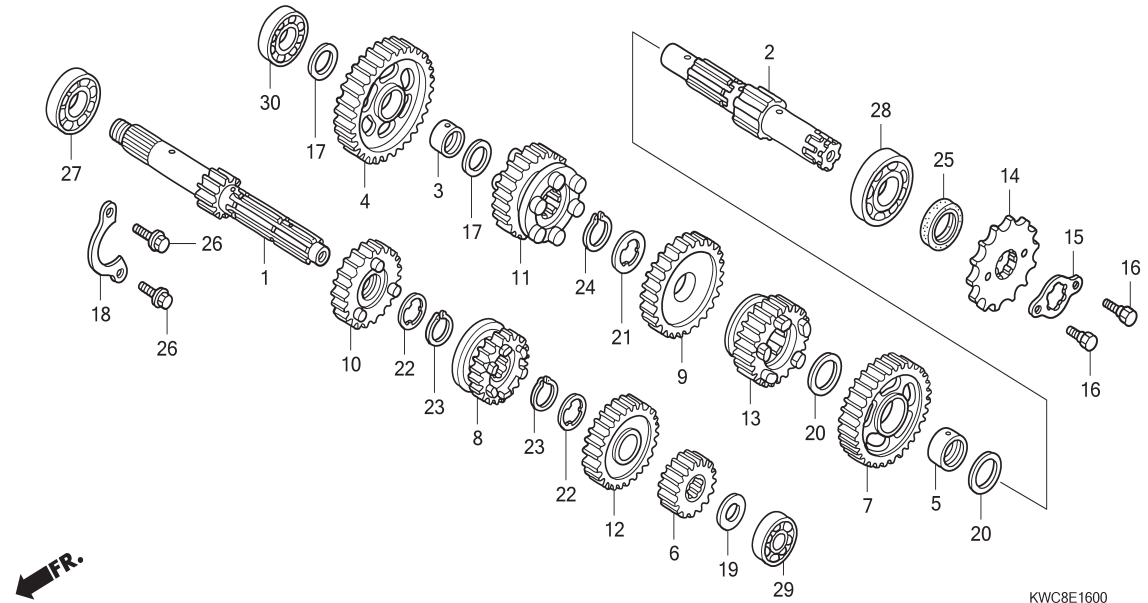


E - 16 Transmission



KWC8E1600

Service item	F.R.T.	No.	Part Number	Description	QTY	Notes
		21	90455-KR1-761	WASHER, SPLINE, 20MM	1	
		22	90461-115-000	WASHER, SPLINE, 17MM	2	
		23	90601-001-000	CIRCLIP, EXTERNAL, 17MM	2	
		24	90605-200-001	SET RING, 20MM	1	
		25	91216-KGH-902	OIL SEAL, 20X34X7	1	
		26	95701-06014-00	BOLT, FLANGE, 6X14	2	
		27	96100-62030-00	BEARING, RADIAL BALL, 6203	1	
		28	96100-62040-00	BEARING, RADIAL BALL, 6204	1	
		29	96140-62010-00	BEARING, RADIAL BALL, 6201U	1	
		30	96140-62020-00	BEARING, RADIAL BALL, 6202U	1	