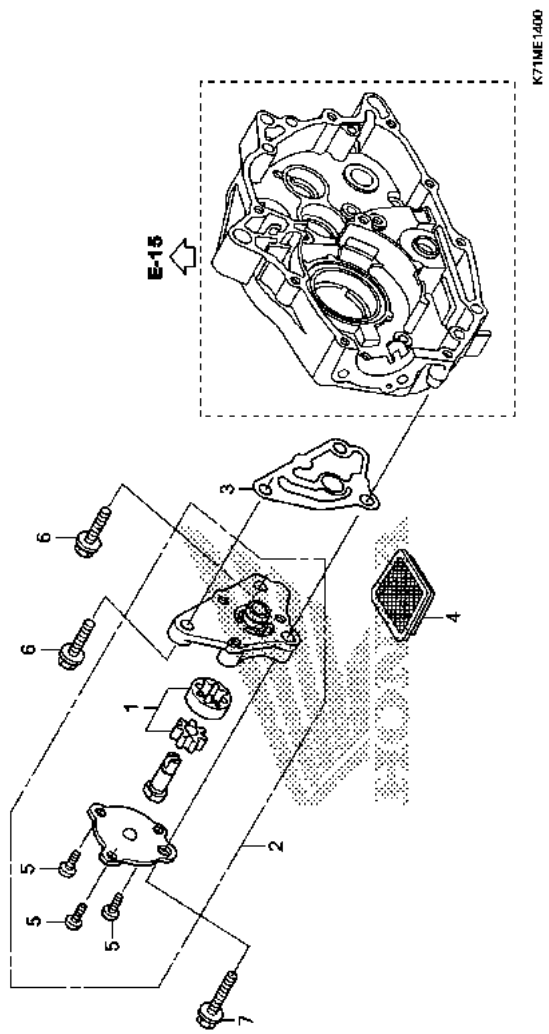


E-14

OIL PUMP

Ref. No.	L.O.N.	(Relative ref. Number)	Description	F.R.T.
2	113105	(1,3)	PUMP ASSY., OIL	0.7
4	1131B5		SCREEN, OIL FILTER	0.6



Ref. No.	Part No.	Description	Reqd. QTY			Serial No.	Parts catalogue code
			AFS110	MCS	MD		
			L	L	L		
1	15021-GF6-000	ROTOR SET, OIL PUMP	1	1	1		
2	15100-KVR-C00	PUMP ASSY., OIL	1	1	1		
3	15119-KMB-600	GASKET, OIL PUMP BODY	1	1	1		
4	15421-035-010	SCREEN, OIL FILTER	1	1	1		
5	93500-05010-0A	SCREW, PAN, 5X10	3	3	3		
6	96001-06016-00	BOLT, FLANGE, 6X16	2	2	2		
7	96001-06022-00	BOLT, FLANGE, 6X22	1	1	1		