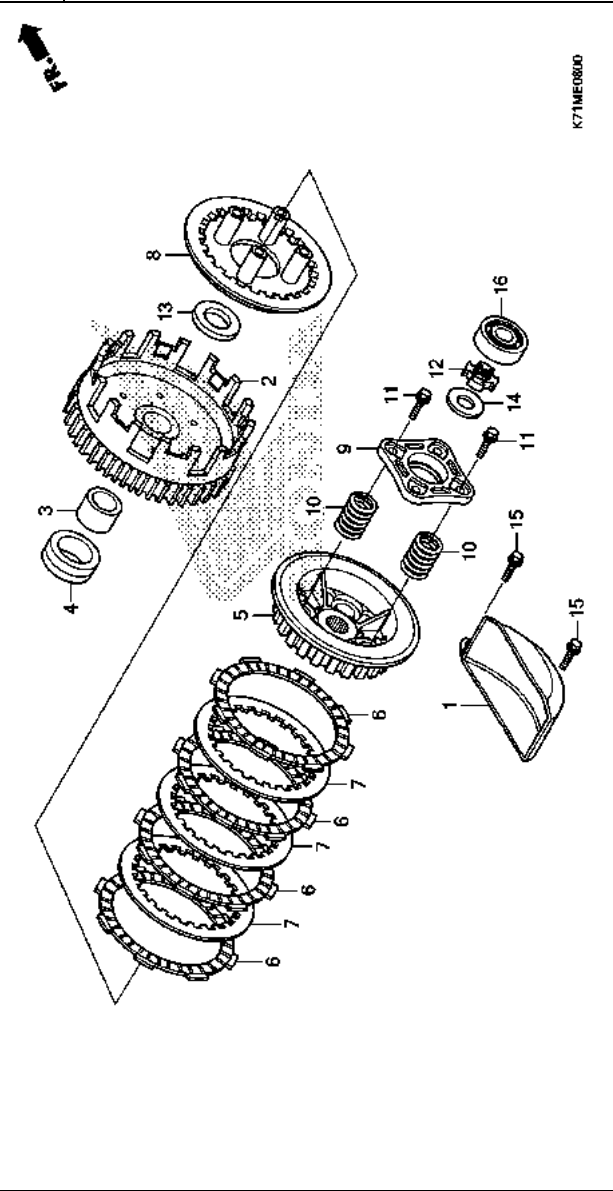


Ref. No.	L.O.N.	(Relative ref. Number)	Description	F.R.T.
1	1131B9		SEPARATOR, OIL	0.9
2	2121A0		OUTER, CLUTCH	0.9
5	212112		CENTER, CLUTCH	1.1
6	2121A1		DISC, CLUTCH FRICTION	1.1
			-NOTE: Same time for two units or more	
8	2121A3		PLATE, CLUTCH PRESSURE	1.1
9	2121A4		PLATE, CLUTCH LIFTER	0.9
10	212107		SPRING, CLUTCH	0.9
			-NOTE: Same time for two units	
16	2121B4		BEARING, CLUTCH LIFTER	0.7



Ref. No.	Part No.	Description	Reqd. QTY			Serial No.	Parts catalogue code
			AFS110	MCS	MD		
1	15661-GN5-910	PLATE, OIL SEPARATOR	1	1			
2	22110-K09-L01	OUTER COMP., CLUTCH(69T)	1	1			
3	22115-KPH-900	GUIDE, CLUTCH OUTER	1	1			
4	22116-KMW-740	COLLAR, CLUTCH OUTER	1	1			
5	22121-K09-L01	CENTER, CLUTCH	1	1			
6	22201-K09-L01	DISK, CLUTCH FRICTION	4	4			
7	22311-107-000	PLATE, CLUTCH	3	3			
8	22350-115-020	PLATE, CLUTCH PRESSURE	1	1			
9	22361-KFM-900	PLATE, CLUTCH LIFTER	1	1			
10	22401-K09-L01	SPRING, CLUTCH	4	4			
11	90050-KFL-850	BOLT, SPECIAL FLANGE, 6X25 ..	4	4			
12	90231-198-010	NUT B, LOCK, 14MM	1	1			
13	90403-KPH-900	WASHER, THRUST, 17MM	1	1			
14	90462-KMW-740	WASHER, 14.1MM	1	1			
15	95701-06020-00	BOLT, FLANGE, 6X20	2	2			
16	96100-62000-00	BEARING, RADIAL BALL, 6200 ..	1	1			