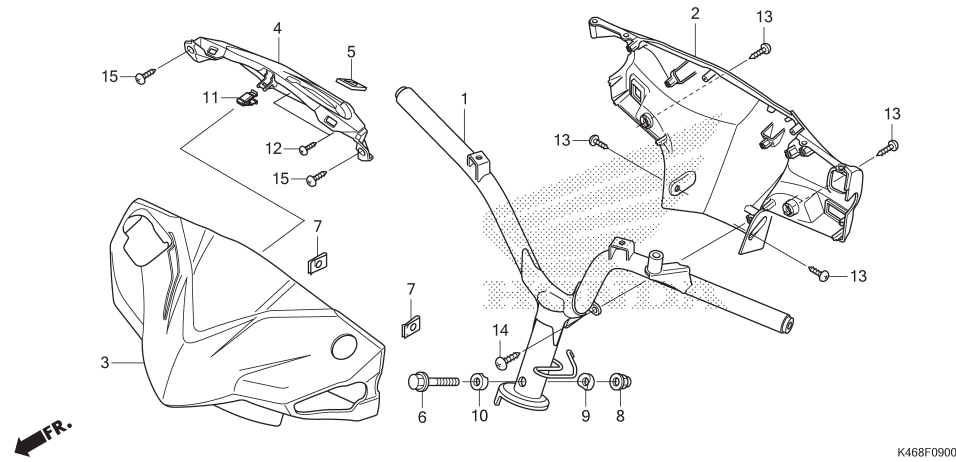


F-9

HANDLE PIPE/HANDLE COVER



No. Ref.	L.O.N.	(Nomor ref. relatif) Deskripsi	F.R.T.
1	810100	PIPE, STEERING HANDLE	1,10
2	4131B6	COVER, HANDLE :REAR	0,60
3	4131B5	COVER, HANDLE :FRONT	0,30
	4131U1	COVER, HANDLE :FRONT & REAR	0,60
		CATATAN: Tidak termasuk No. Ref. 5	
4	8121E3	COVER, METER	0,60

3

No. Ref.	No. Part	Deskripsi	JUMLAH VARIO 110 PGM-FI (ACI110CB) E	No. Seri	Kode Parts Catalog
1	53100-K46-N00	PIPE COMP., STEERING HANDLE	1		
2	53206-K46-N00ZA	COVER, RR. HANDLE			
		TBLACK	BLACK		1
3	53205-K46-N00PFW	COVER, FR. HANDLE(WL)			
		NH341P	PEARL FADELESS WHITE		1
	53205-K46-N00VBM	*B201M*	VIVID BLUE METALLIC		1
	53205-K46-N00CSR	*R333C*	CANDY SCARLET RED		1
	53205-K46-N00FMB	*NH1*	BLACK		1
4	53208-K46-N00ZA	COVER, SPEEDOMETER			
		NHA30M	DIGITAL SILVER METALLIC		1
5	86150-KYS-940	EMBLEM, PRODUCT	1		
6	90102-KZL-930	BOLT, FLANGE, 10X48	1		
7	90302-KWW-A00	NUT, SPRING, 4MM	2		
8	90304-KGH-901	NUT, U, 10MM	1		
9	90501-KPH-880	COLLAR A, HANDLE SETTING	1		
10	90505-KPH-880	COLLAR B, HANDLE SETTING	1		
11	90666-SDA-A01	CLIP, SNAP FITTING(P0)	1		
12	93903-34310	SCREW, TAPPING, 4X12	2		
13	93903-34380	SCREW, TAPPING, 4X12	4		
14	93903-35310	SCREW, TAPPING, 5X16	1		
15	93903-35320	SCREW, TAPPING, 5X16	2		