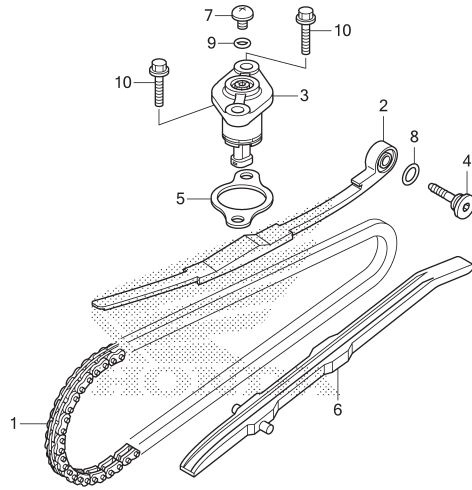


E-5

CAM CHAIN/TENSIONER



| No. Ref. | L.O.N. | (Nomor ref. relatif) Deskripsi | F.R.T. |
|----------|--------|---|--------|
| 1 | 110140 | CHAIN, CAMTERMASUK: Penurunan dan pemasangan mesin | 4,30 |
| 2 | 111130 | TENSIONER, CAM CHAIN | 1,00 |
| 3 | 111133 | LIFTER, TENSIONER | 0,90 |
| 6 | 111139 | GUIDE, CAM CHAINTERMASUK: Penurunan dan pemasangan mesin | 2,50 |

| No. Ref. | No. Part | Deskripsi | JUMLAH VARIO 110 PGM-FI (ACI110CB) E | No. Seri | Kode Parts Catalog |
|----------|----------------|-----------------------------------|---|----------|--------------------|
| 1 | 14401-KVB-901 | CHAIN, CAM(90L) | 1 | | |
| 2 | 14510-KVB-901 | TENSIONER, CAM CHAIN | 1 | | |
| 3 | 14520-GFC-771 | LIFTER ASSY., TENSIONER | 1 | | |
| | 14520-K25-901 | LIFTER ASSY., TENSIONER(NJ) | 1 | | |
| | 14520-KVY-901 | | 1 | | |
| 4 | 14531-KVY-900 | PIVOT, CAM CHAIN TENSIONER | 1 | | |
| 5 | 14560-KCW-851 | GASKET, TENSIONER LIFTER | 1 | | |
| 6 | 14611-KVB-900 | GUIDE, CAM CHAIN | 1 | | |
| 7 | 90005-KY7-000 | SCREW, PAN, 6X6 | 1 | | |
| 8 | 91301-GRO-004 | O-RING, 15.2X1.5 | 1 | | |
| 9 | 91306-MG3-001 | O-RING, 1.5X9.5 | 1 | | |
| 10 | 95701-06022-01 | BOLT, FLANGE, 6X22 | 2 | | |