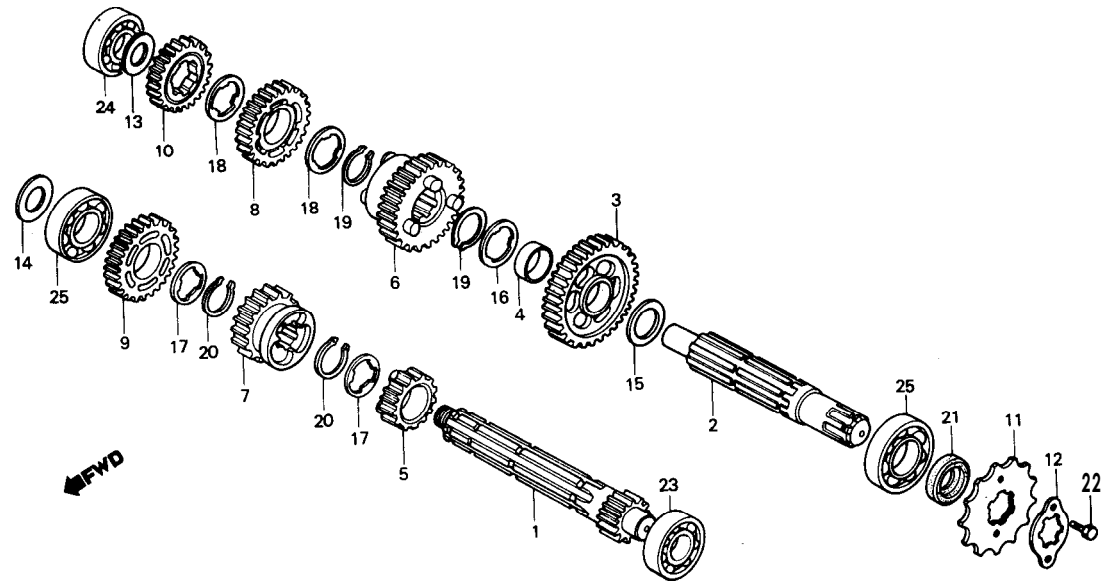


E - 10

Transmission



BGF6-7

Bagian yang diservis Service item	F.R.T. F.R.T.	Nomor Petunjuk Ref. No.	Nomor Pan Part No.	Nama Part Description	Jumlah Regd. No. WIN WIN100	Nomor Serie Serial No.	Catatan Area Code
MAINSAFT (TERMASUK PART YANG BERHUBUNGANI (INC. RELATIVE PART) COUNTERSHAFT (TERMASUK PART YANG BERHUBUNGANI (INC. RELATIVE PART) (JIKA SELURUH UNIT DISERVIS, F.R.T. ADALAH 3.6) (WHEN SERVICING COMP., UNIT, F.R.T. IS 3.6) SPROCKET, DRIVE	0,34	1	23211-GF6-000	MAINSHAFT (11T)	1	1	
		2	23221-GF6-010	COUNTERSHAFT	1	1	
		3	23421-GB4-770	GEAR, COUNTERSHAFT LOW (35T)	1	1	
		4	23422-GB4-770	BUSH, 20X9	1	1	
		5	23431-GF6-000	GEAR, MAINSHAFT SECOND (17T)	1	1	
		6	23441-GB4-770	GEAR, COUNTERSHAFT SECOND (29T)	1	1	
	0,2	7	23451-GB4-770	GEAR, MAINSHAFT THIRD (22T)	1	-	
			23451-GB4-771	GEAR, MAINSHAFT THIRD (22T)	-	1	
		6	23461-GF6-000	GEAR, COUNTERSHAFT THIRD (26T)	1	1	
		9	23471-GF6-000	GEAR, MAINSHAFT FOURTH (24T)	1	-	
			23471-GF6-010	GEAR MAINSHAFT FOURTH (24T)	-	1	
		10	23481-GF6-000	GEAR, COUNTERSHAFT FOURTH (22T)	1	1	
		11	23801-GF6-000	SPROCKET, DRIVE	1	1	
		12	23802-040-000	PLATE, DRIVE SPROCKET FIXING	1	1	
		13	90451-GF6-000	WASHER, THRUST, 12MM	1	1	
		14	90451-198-000	WASHER, THRUST, 17MM	1	1	
		15	90452-GB4-770	WASHER, THRUST, 17MM	1	1	
		16	90461-GB4-770	WASHER, SPLINE	1	1	
		17	90461-035-000	WASHER, SPLINE, 17MM	2	2	
		18	90461-459-010	WASHER, SPLINE, 20MM.	2	2	
		19	90601-001-000	CIRCLIP, EXTERNAL, 17MM	2	2	
		20	90601-459-000	CIRCLIP, 20MM	2	2	
		21	91203-035-005	OIL SEAL, 17X29X5	1	1	
		22	92000-06008-0A	BOLT, HEX., 6X8	2	2	
		23	6001	BEARING, RADIAL BALL	1	1	
		24	6201	BEARING, RADIAL BALL	1	1	
		25	6263	BEARING, RADIAL BALL	2	2	