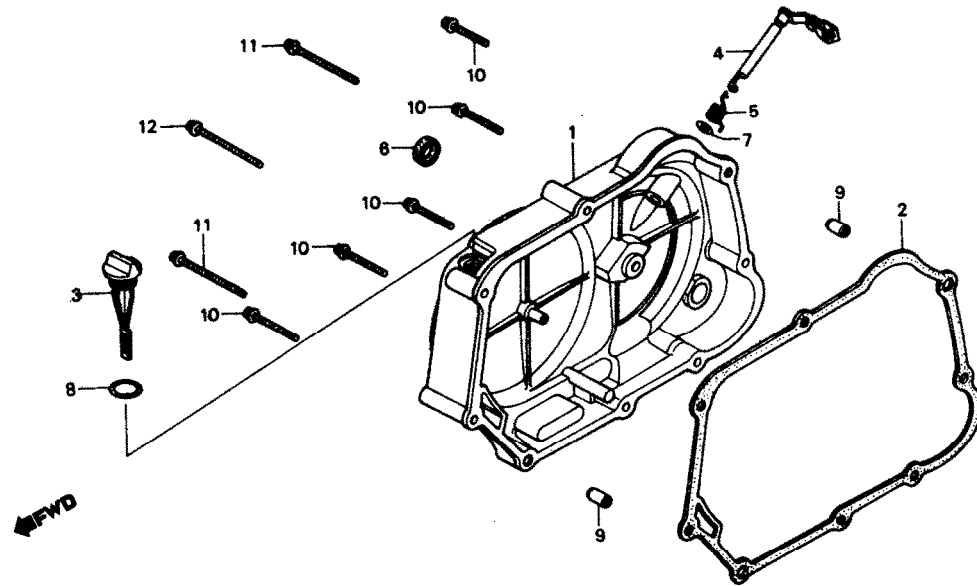


E - 5

Right crankcase cover



BGF6-3

Bagian yang diservis Service Item	F.R.T. F.R.T.	Nomor Petunjuk Ref. No.	Nomor Part Part No.	Nama Part Description	Jumlah Regd. No. w/w twice	Nomor Serie Serial No.	Catatan Area Code
COVER COMP., R. CRANKCASE LEVER COMP., CLUTCH	0,6	1	11330-GF8-000	COVER COMP., R. CRANKCASE	1	-	
			11330-198-000	COVER COMP., R. CRANKCASE	-	1	
OIL SEAL, 14X24X5 GASKET, R. CRANKCASE COVER	0,5	2	11394-036-010	GASKET, R. CRANKCASE COVER	1	1	
		3	15051-GF8-910	15051-GF8-911	1	-	
			15051-GF8-911	GAUGE, OIL LEVEL	1	1	
		4	22810-GF6-000	LEVER COMP., CLUTCH	1	1	
		5	22815-166-000	SPRING, CLUTCH LEVER	1	1	
		6	91202-302-010	OIL SEAL, 14X24X5	1	1	
		7	91303-800-000	O-RING, 16MM	1	1	
		8	91307-035-000	O-RING, 18X3	1	1	
		9	94304-08120	PIN D, DOWEL, 8X12	2	2	
		10	98001-08040-00	BOLT, FLANGE, 6X40	5	6	
		11	98001-08065-00	BOLT, FLANGE, 6X65	2	2	
		12	98001-08080-00	BOLT, FLANGE, 6X80	1	1	