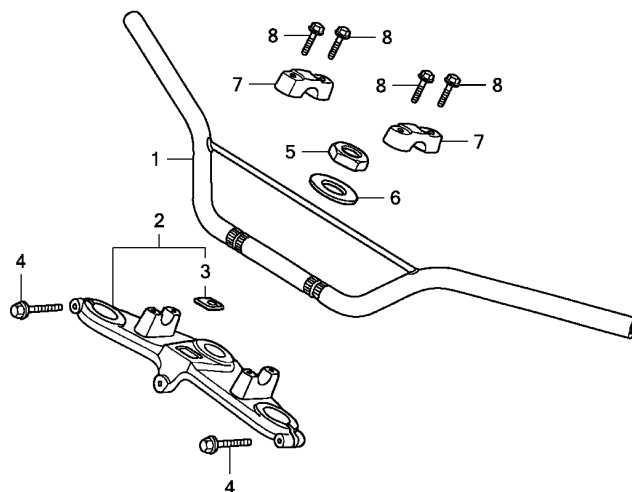


F-2

HANDLE PIPE

F 3



KSJEF0200

FR.

Ref. No.	L.O.N.	(Relative ref. Number) Description	F.R.T.
1	810100	PIPE, STEERING HANDLE	0.4
2	510110	BRIDGE, FORK TOP	0.3

Ref. No.	Part No.	Description	Reqd. QTY						Serial No.	Parts catalogue code
			CRF80F			CRF100F				
			8	9	B	8	9	A	B	
1	53100-GN1-A51ZA	PIPE, STEERING HANDLE *NH146M*								
		ACCURATE SILVER METALLIC	1	1	-	-	-	-	-	-
	53100-GN1-A51ZB	*NH105*...MAT BLACK (#15-#20)	-	-	1	-	-	-	-	-
	53100-KN4-A61ZA	*NH146M*								
		ACCURATE SILVER METALLIC	-	-	-	1	1	1	-	-
	53100-KN4-A61ZB	*NH105*...MAT BLACK (#15-#20)	-	-	-	-	-	-	-	1
2	53300-KSJ-000	BRIDGE COMP., FORK TOP	1	1	1	1	1	1	1	1
3	86150-KPG-901	EMBLEM, PRODUCT(MARUI)	1	1	1	1	1	1	1	1
4	90155-KN4-A60	BOLT, FLANGE, 7X32	2	2	2	2	2	2	2	2
5	90304-GC4-830	NUT, STEERING STEM	1	1	1	1	1	1	1	1
6	90503-011-000	WASHER, STEERING STEM	1	1	1	1	1	1	1	1
7	95014-21101	HOLDER A1, HANDLE PIPE UPPER	2	2	2	2	2	2	2	2
8	96300-06028-00	BOLT, FLANGE, 6X28	4	4	4	4	4	4	4	4

3