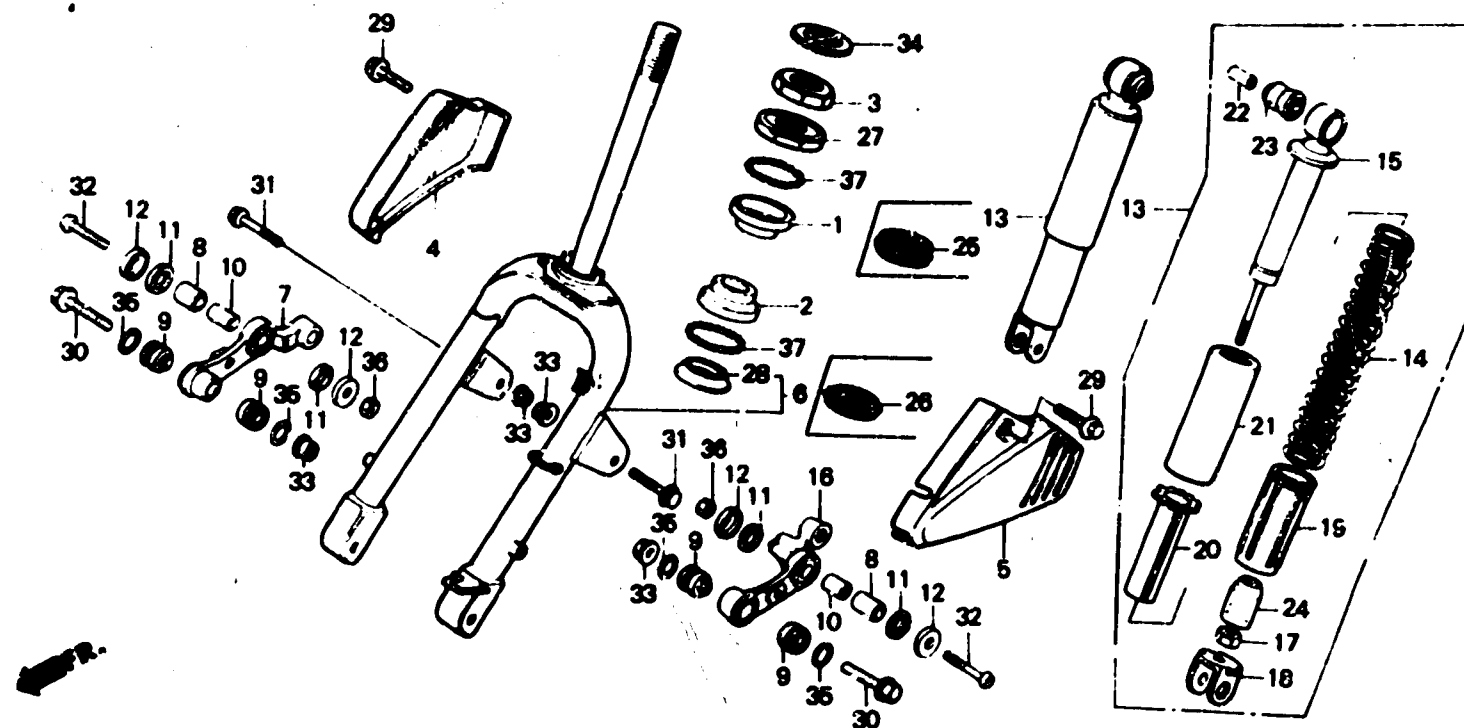


G 4

F-6

**Front fork -
Front shock**



GY18 - F0600

Service item	F.R.T.	Ref. No.	Part No.	Description	Reord No.		Serial No.	Area Code
					SA50	SM		
		29	90003-GE0-000	BOLT, RR. FENDER	2	2		
		30	90111-GC3-000	BOLT, FLANGE, 8X48	2	2		
		31	90118-471-000	BOLT, FLANGE, 8X37	2	2		
		32	90149-041-010	BOLT, FR. CUSHION UNDER	2	2		
		33	90309-KF0-003	NUT, FLANGE, 8 MM	4	4		
		34	90402-KM1-670	WASHER, PLAIN, 26X40X2.6	1	1		
		35	91351-GA7-000	O-RING, 16.8X9	4	4		
		3C	94002-08000-C/S	NUT, HEX., 8 MM	2	2		
		37	96211-05000	BALL, STEEL, # 5 (5/32)	55	55	 B. E. F. H. PO