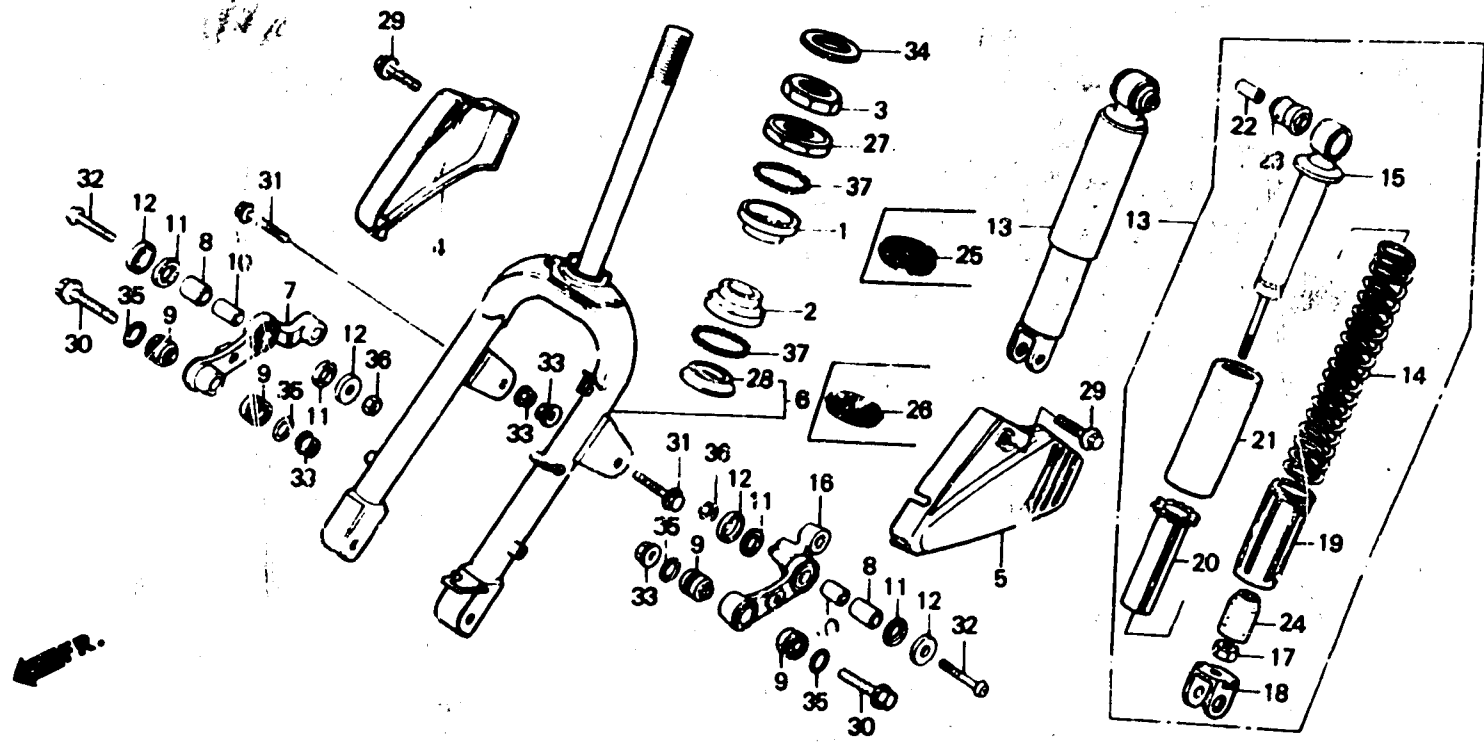


**G 2**

**F-6**

**Front fork -  
Front shock**



GY18 - F0600

Service item	F.R.T.	Ref. No.	Part No.	Description	Reqd No.		Serial No.	Area Code
					SA50	SM		
		10	51334-GN2-000	COLLAR, FR. CUSHION DISTANCE .....	2	2		
		11	51335-001-000	DUST DEAL, FR. CUSHION UNDER .....	4	4		
		12	51336-001-000	CAP, FR. CUSHION UNDER DUST SEA. ....	4	4		
		13	51400-GY1-921ZA	SHOCK ASSY., FR. 'NH1' .....	2	2		
		14	51401-GY1-921	SPRING, FR. CUSHION .....	2	2		
		15	51410-GY1-921	DAMPER COMP., FR. ....	2	2		
		16	51411-GY1-920	ARM, L. FR. PIVOT .....	1	1		
		17	51413-GB4-003	NUT, LOCK 8 MM .....	2	2		
		18	51420-GN2-003	JOINT, FR. CUSHION BOTTOM .....	2	2		
		19	51421-GG2-003	CASE, FR. CUSHION UNDER .....	2	2		