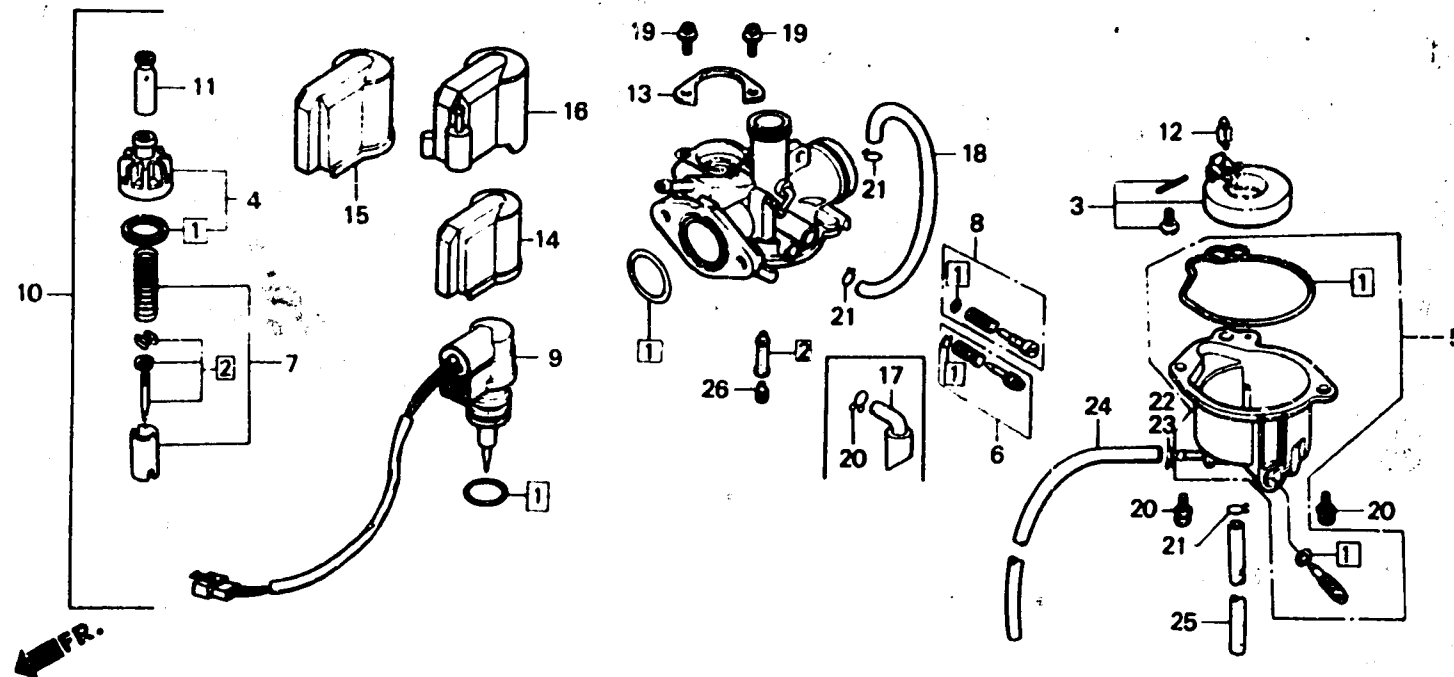


**E-11**

**Carburetor**



GY18 - E1100

Service item	F.R.T.	Ref. No.	Part No.	Description	Reqd No		Serial No.	Area Code
					SA50	SM		
NEEDLE SET, JET	0.6	1	16010-GR1-751	GASKET SET	1	-		
● FLOAT SET			16010-GZ5-000	GASKET SET	-	1		
● BYSTARTER SET, AUTO		2	16012-GY1-9C1	NEEDLE SET, JET	1	-		B, E, F, PO
● CARBURETOR ASSY.			16012-GY1-931	NEEDLE SET, JET	1	-		H
● VALVE COMP., FLOAT			16012-GY1-941	NEEDLE SET, JET	-	1		
● JET, MAIN,			16012-GY1-960	NEEDLE SET, JET	1	-		IT
TOP SET	0.3	3	16013-147-004	FLOAT SET	1	1		
● VALVE SET, THROTTLE		4	16014-GK8-003	TOP SET	1	1		
CHAMBER SET, FLOAT	0.4	5	16015-GR1-013	CHAMBER SET, FLOAT	1	1		B, E, F, H, PO
			16015-GZ5-000	CHAMBER SET, FLOAT	1	-		IT
		6	16016-GG2-701	SCREW SET	1	1		
		7	16022-GN2-771	VALVE SET, THROTTLE	1	1		B, E, F, H, PO
			16022-GY1-960	VALVE SET, THROTTLE	1	-		IT
		8	16028-GC8-004	SCREW SET B	1	-		B, E, F, H, PO
			16028-GW3-003	SCREW SET	1	-		IT
		9	16046-GS7-671	BYSTARTER ASSY., AUTO	-	1		
					1	1		B, E, F, H, PO