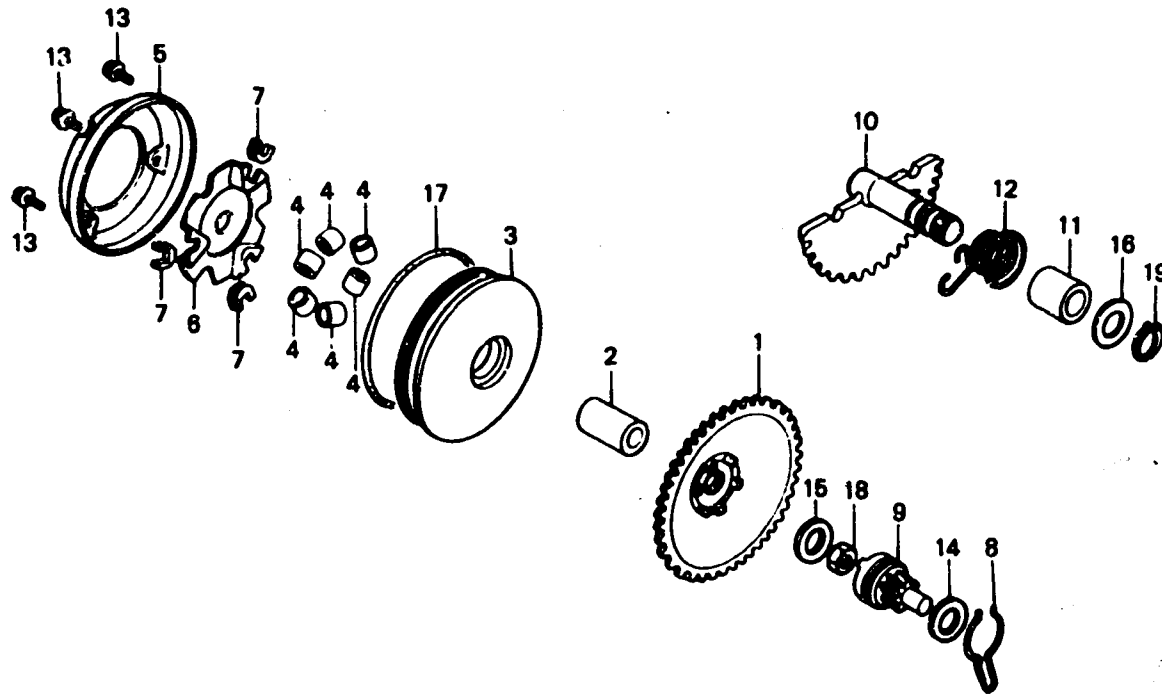


D 7

E-6

**Drive face
Kick starter spindle**



GY18 - E0600

Service item	F.R.T.	Ref. No.	Part No.	Description	Reqd No.		Serial No.	Area Code
					M	SM		
FACE, DRIVE	0.6	1	22102-GN2-600	FACE, DRIVE	1	1		
FACE COMP., MOVABLE DRIVE	0.8	2	22105-GR1-000	BOSS, DRIVE FACE	1	1		
● ROLLER COMP., WEIGHT (INC. RELATIVE PART) (ONE OR ALL)		3	22110-GW0-000	FACE COMP., MOVABLE DRIVE	1	1		
GEAR COMP., KICK DRIVEN	0.4	4	22121-GC2-941	ROLLER COMP., WEIGHT	6	-		- E, PO
SPINDLE COMP., KICK STARTER	0.5		22121-GM9-010	ROLLER COMP., WEIGHT	6	-		- B, F, H, IT
● SPRING, KICK RETURN (INC. RELATIVE PART)			22121-GR1-010	ROLLER COMP., WEIGHT	-	6		
		5	22126-GR1-010	SEAL, MOVABLE FACE	1	1		
		6	22131-GN2-620	PLATE, RAMP (TYPE 11)	1	1		- B, F, H, IT
			22131-GS7-000	PLATE, RAMP (TYPE S71)	1	-		- E, PO
		7	22132-GN2-000	PIECE, SLIDE	3	3		
		8	28223-GM9-010	SPRING, STARTER GEAR FRICTION	1	1		
		9	28230-GN2-600	GEAR COMP., KICK DRIVEN (7T)	1	1		
		10	28250-GN2-601	SPINDLE COMP., KICK STARTER (42T)	1	1		